

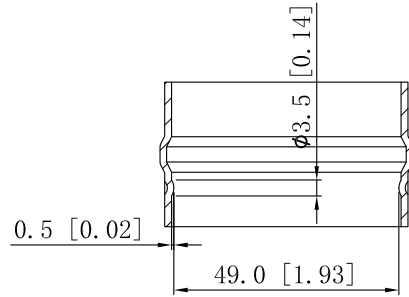
SIDES

BOTTOM

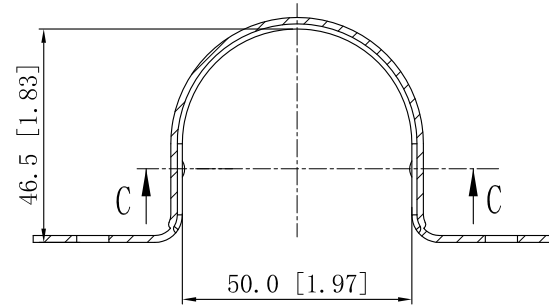
UL File #

E510054

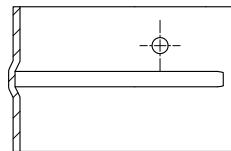
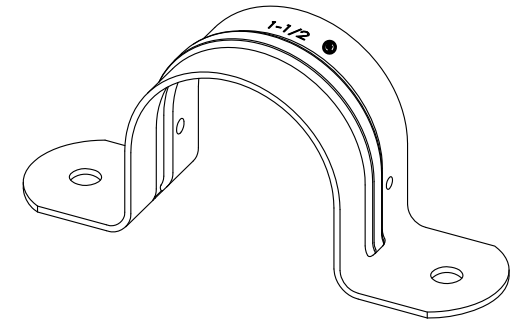
Material:0.0591"-Stainless steel 316



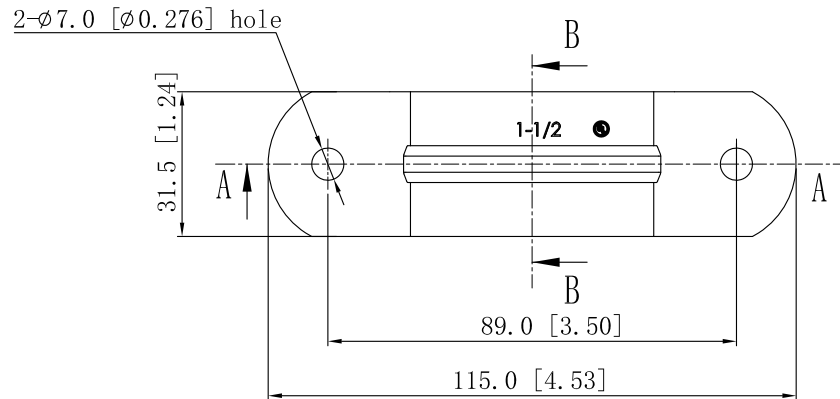
CUTAWAY VIEW C-C



CUTAWAY VIEW A-A



CUTAWAY VIEW B-B



DESCRIPTION
TRADE REFERENCE TERMS

This data sheet is for reference only .SINO AMPLE reserves the right to make changes to the design without prior notice.

STANDARD PACKING	ZHUJI SINO AMPLE METAL PRODUCTS CO., LTD.		
	TITLE TWO-HOLE STRAPS		
SIZE A4	DWG NO.	SATHSSR-150	REV A
DATA SHEET			