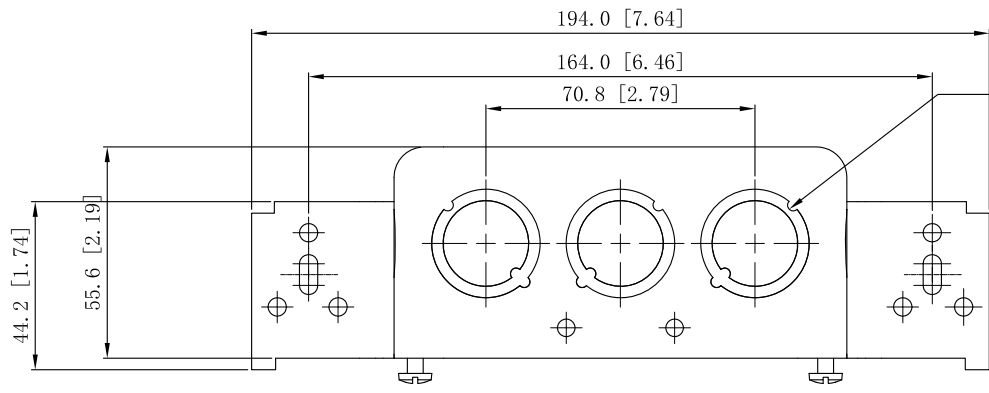
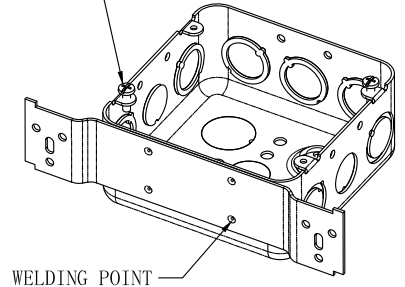


SIDES	BOTTOM
2 3/4" KNOCKOUTS	2 1/2" KNOCKOUTS
7 1/2"-3/4" MOON KNOCKOUTS	2 3/4" KNOCKOUTS
	1 Ground Hump
2 PCS 8-32X1/2 Screws Installed	
Material: Steel-0.0625"-G60 Galvanized	



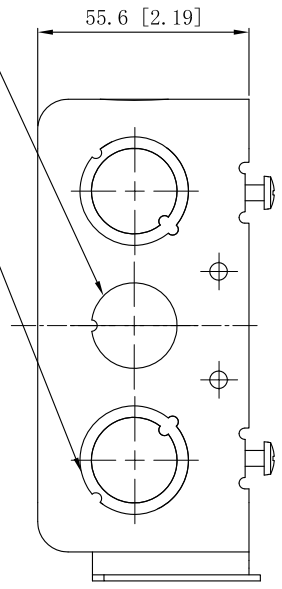
3 1/2"-3/4" MOON KNOCKOUTS  $\phi=28.5 [\phi=1.12]$   
 $\phi=22.5 [\phi=0.89]$

#8-32 UNC,  $\times 2$



4 1/2"-3/4" MOON KNOCKOUTS  $\phi=28.5 [\phi=1.12]$   
 $\phi=22.5 [\phi=0.89]$

2 3/4" KNOCKOUTS  $\phi=22.5 [\phi=0.89]$

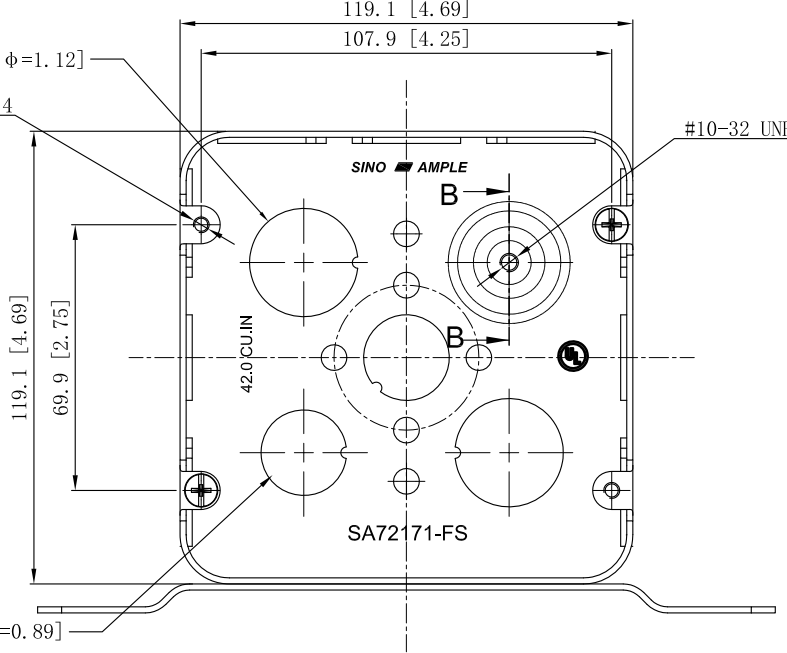


2 3/4" KNOCKOUTS  $\phi=28.5 [\phi=1.12]$

#8-32 UNC  $\times 4$

#10-32 UNF

3 1/2" KNOCKOUTS  $\phi=22.5 [\phi=0.89]$



CUTAWAY VIEW B-B

DESCRIPTION
TRADE REFERENCE TERMS

This data sheet is for reference only. SINO AMPLE reserves the right to make changes to the design without prior notice.

STANDARD PACKING	ZHUJI SINO AMPLE METAL PRODUCTS CO., LTD.		
25 PCS	TITLE 4-11/16" SQUARE "DRAWN" BOXES (2-1/8" DEEP)		
	SIZE A4	DWG NO. SA72171-FS	REV A
	DATA SHEET		