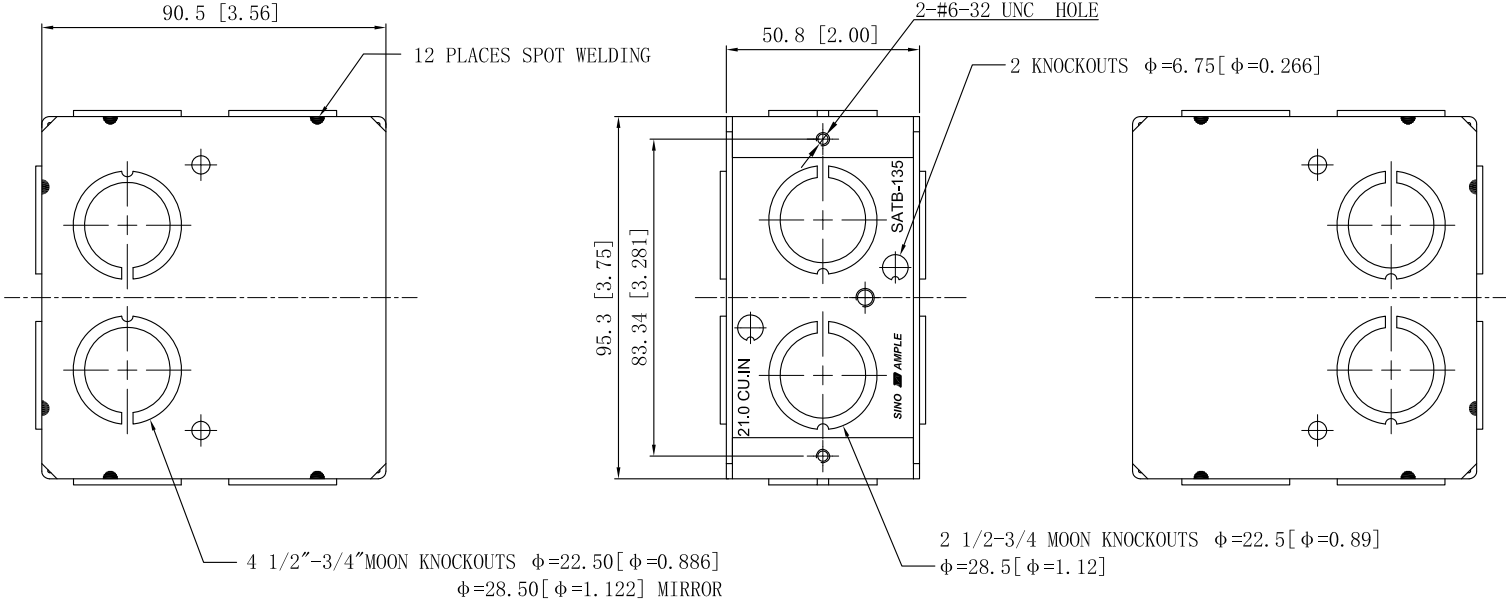
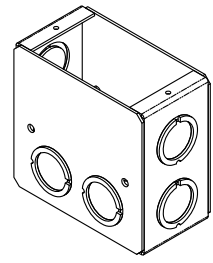
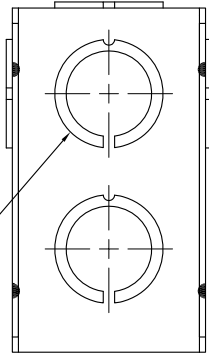


<b>SIDES</b>	<b>BOTTOM</b>
8 1/2"-3/4" MOON KNOCKOUTS	2 1/2"-3/4" MOON KNOCKOUTS
2 PCS 8-32×1/4 Screws Installed	
Material:Steel-0.0625"-G60 Galvanized	

4 1/2"-3/4"MOON KNOCKOUTS  $\phi=22.50$  [ $\phi=0.886$ ]  
 $\phi=28.50$  [ $\phi=1.122$ ] MIRROR



<b>DESCRIPTION</b>
<b>TRADE REFERENCE TERMS</b>

This data sheet is for reference only .SINO AMPLE reserves the right to make changes to the design without prior notice.

<b>STANDARD PACKING</b>	<b>ZHUJI SINO AMPLE METAL PRODUCTS CO., LTD.</b>		
	TITLE <b>SOLID MASONRY BOX 3-1/2"DEEP</b>		
20 PCS	SIZE A4	DWG NO. SATB-135	REV
	DATA SHEET		