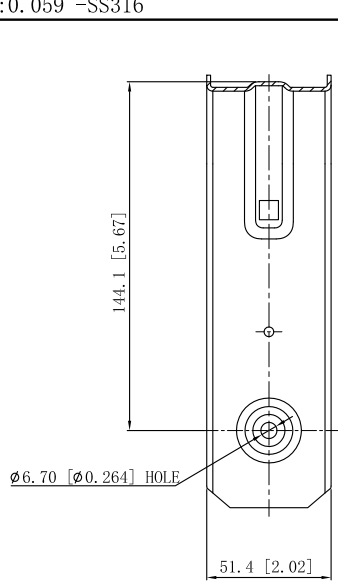
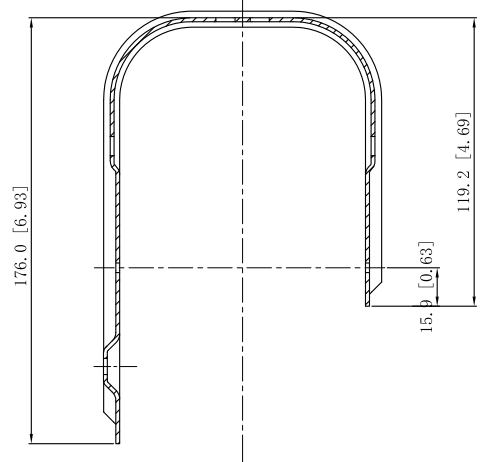
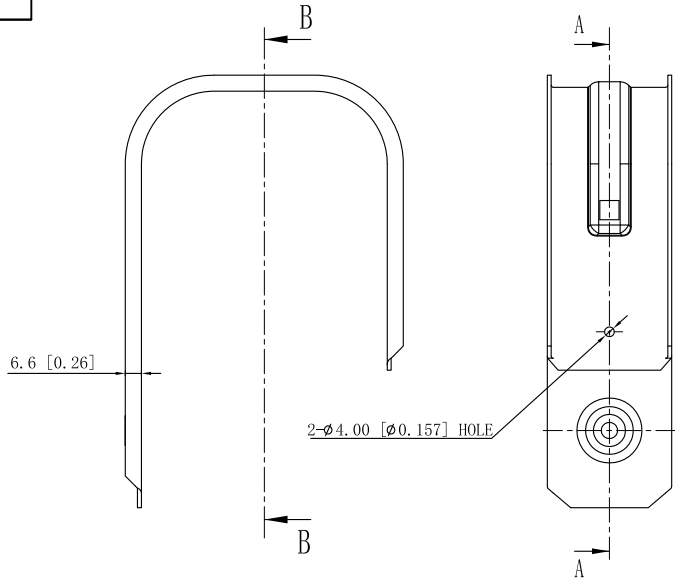


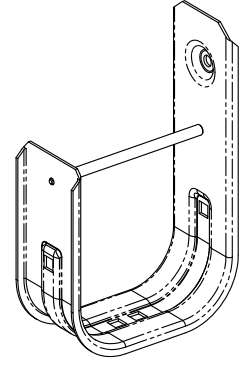
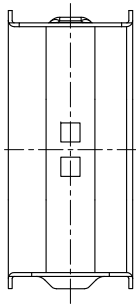
SIDES	BOTTOM
Material: 0.059"-SS316	



CUTAWAY VIEW B-B



CUTAWAY VIEW A-A



This data sheet is for reference only .SINO AMPLE reserves the right to make changes to the design without prior notice.

DESCRIPTION
TRADE REFERENCE TERMS

STANDARD PACKING
25 PCS

ZHUJI SINO AMPLE METAL PRODUCTS CO., LTD.		
TITLE		
J-HOOKS		
SIZE	DWG NO.	REV
A4	SAJHK-64SS	
DATA SHEET		