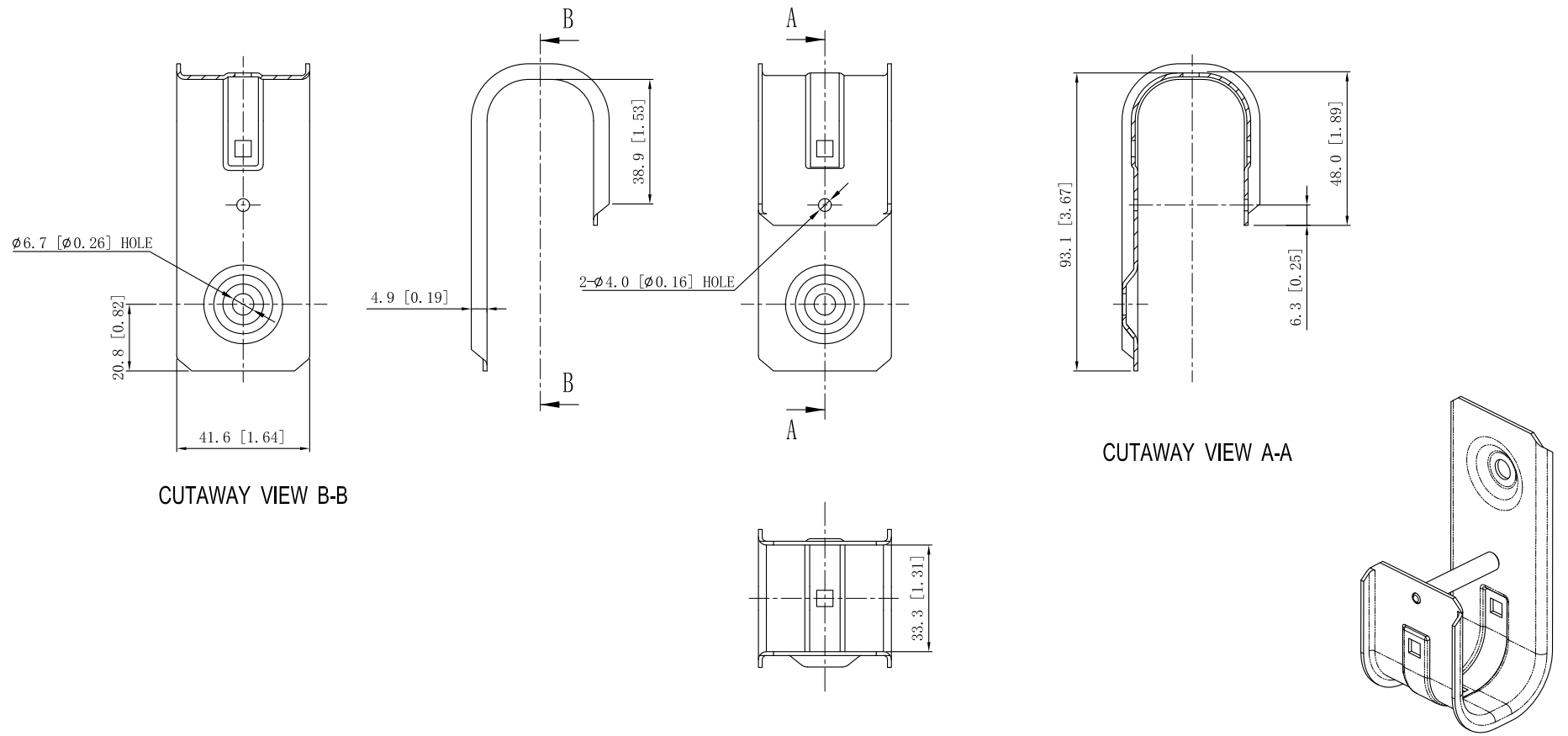


SIDES	BOTTOM
Material: 0.051~0.059"-SS316	



DESCRIPTION
TRADE REFERENCE TERMS

This data sheet is for reference only .SINO AMPLE reserves the right to make changes to the design without prior notice.

STANDARD PACKING	ZHUJI SINO AMPLE METAL PRODUCTS CO., LTD.		
50 PCS	TITLE J-HOOKS		
	SIZE A4	DWG NO. SAJHK-21SS	REV
	DATA SHEET		