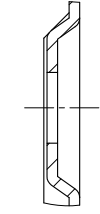


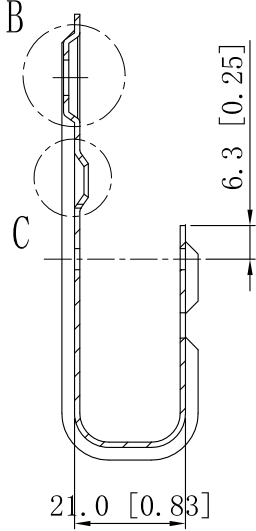
SIDES	BOTTOM
Material: 0.051~0.059"-SS316	



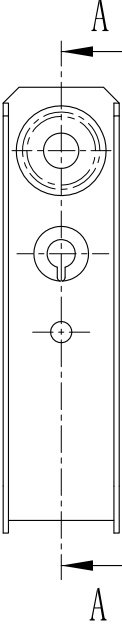
VIEW B



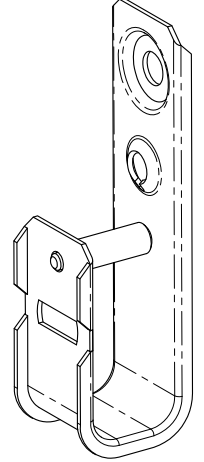
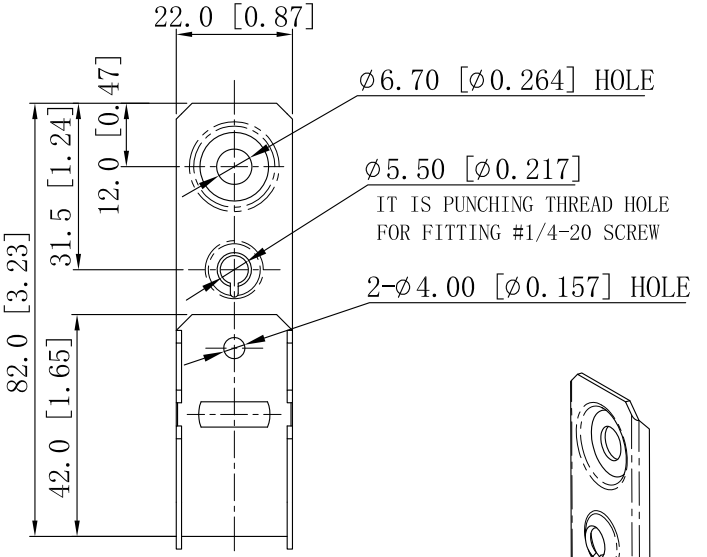
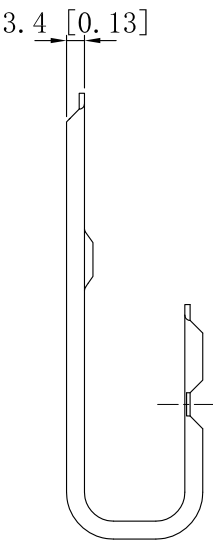
VIEW C



CUTAWAY VIEW A-A



3.4 [0.13]



DESCRIPTION
TRADE REFERENCE TERMS

This data sheet is for reference only .SINO AMPLE reserves the right to make changes to the design without prior notice.

STANDARD PACKING	ZHUJI SINO AMPLE METAL PRODUCTS CO., LTD.		
50 PCS	TITLE		
	J-HOOKS		
	SIZE	DWG NO.	REV
A4	SAJHK-12SS		
DATA SHEET			