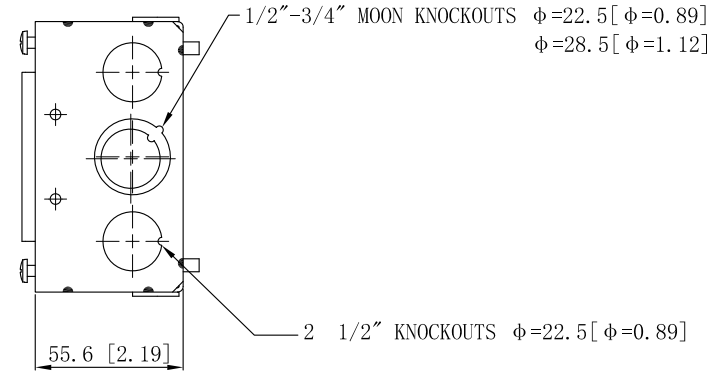
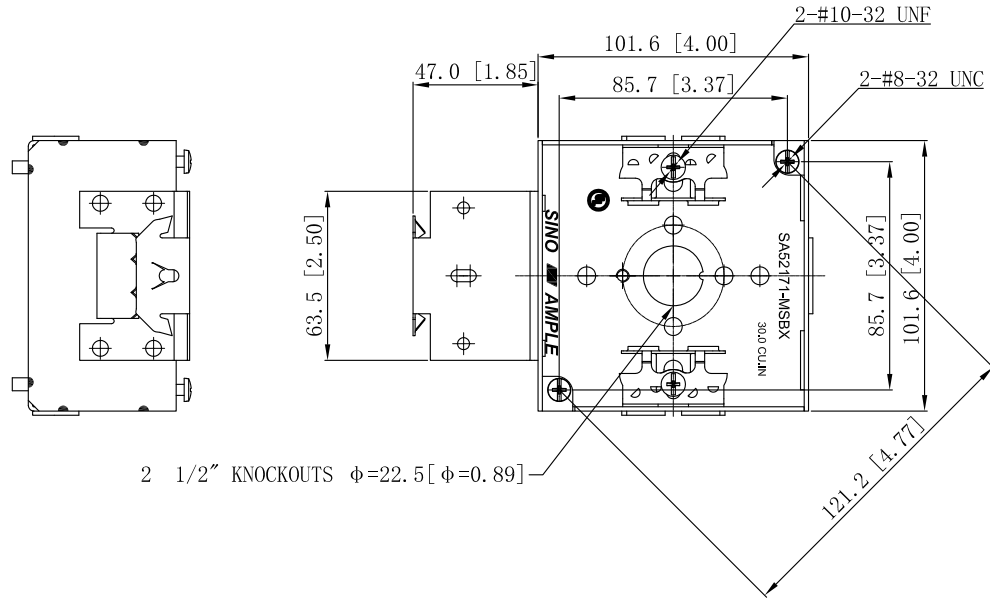
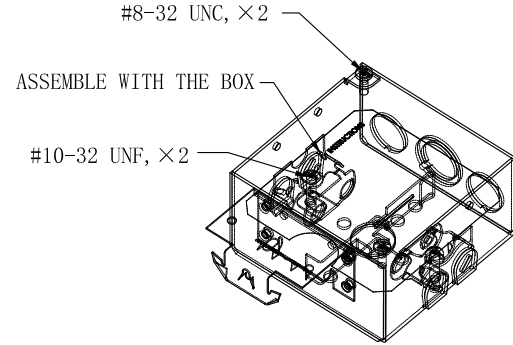
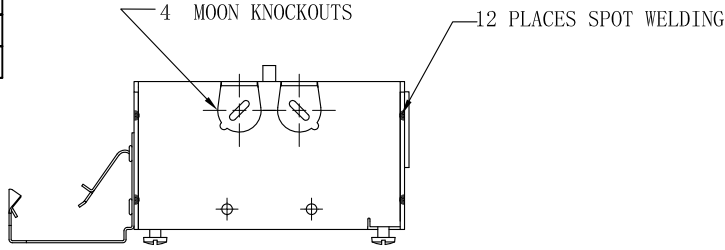


SIDES	BOTTOM
4 KNOCKOUTS	1/2" KNOCKOUTS
2 1/2" KNOCKOUTS	
1/2"-3/4" MOON KNOCKOUTS	
2 PCS 8-32×1/2 Screws Installed	
2 PCS 10-32×1 Screws Installed	
Material:Steel-0.0625"-G60 Galvanized	



DESCRIPTION
TRADE REFERENCE TERMS

This data sheet is for reference only . SINO AMPLE reserves the right to make changes to the design without prior notice.

STANDARD PACKING	ZHUJI SINO AMPLE METAL PRODUCTS CO. , LTD.		
25 PCS	TITLE 4" SQUARE BRACKET BOXES (2-1/8" DEEP)		
	SIZE A4	DWG NO. SA52171-MSBX	REV A
DATA SHEET			