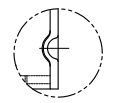
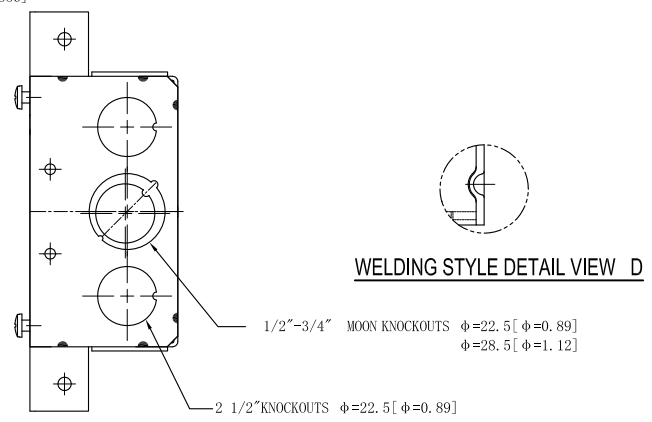
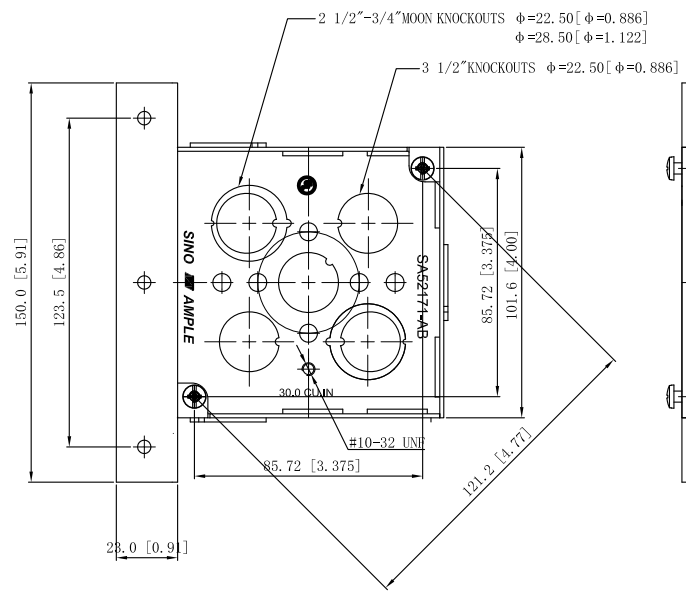
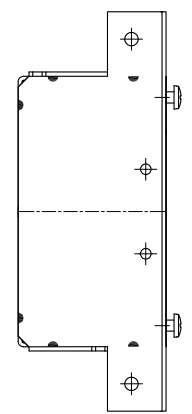
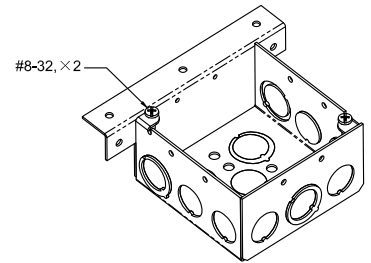
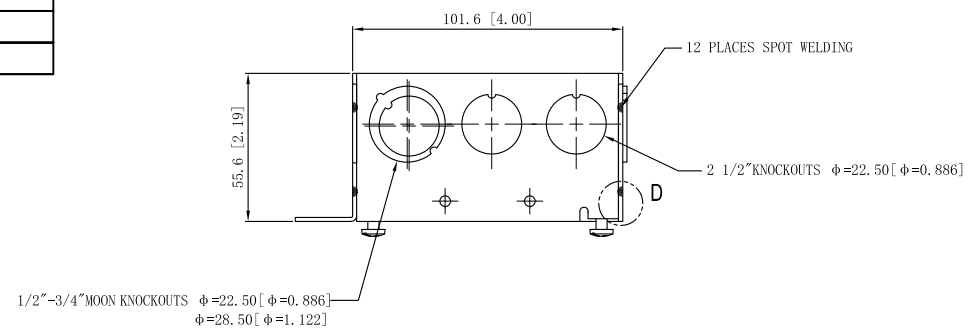


| | |
|---------------------------------------|----------------------------|
| SIDES | BOTTOM |
| 6 1/2" KNOCKOUTS | 3 1/2" KNOCKOUTS |
| 3 1/2"-3/4" MOON KNOCKOUTS | 2 1/2"-3/4" MOON KNOCKOUTS |
| 2 PCS 8-32X1/2 Screws Installed | |
| Material:Steel-0.0625"-G60 Galvanized | |



WELDING STYLE DETAIL VIEW D

| |
|------------------------------|
| DESCRIPTION |
| |
| TRADE REFERENCE TERMS |
| |

This data sheet is for reference only .SINO AMPLE reserves the right to make changes to the design without prior notice.

| | | | |
|-------------------------|---|-----------------------|----------|
| STANDARD PACKING | ZHUJI SINO AMPLE METAL PRODUCTS CO., LTD. | | |
| | TITLE 4" SQUARE BRACKET BOXES (2-1/8" DEEP) | | |
| 25 PCS | SIZE A4 | DWG NO. SA52171-AB | REV A |
| | DATA SHEET | | |