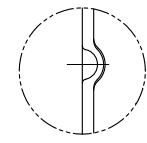
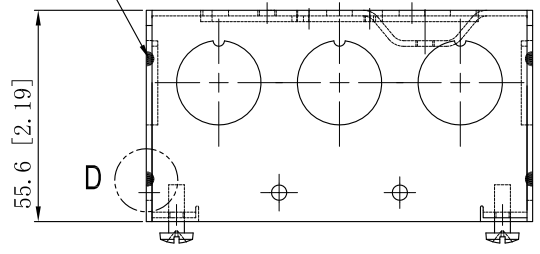


SIDES	BOTTOM
12 1/2" KNOCKOUTS	2 1/2" KNOCKOUTS
	2 3/4" KNOCKOUTS
	1 Ground Hump
2 PCS 8-32×1/2 Screws Installed	
Material:Steel-0.0625"-G60 Galvanized	

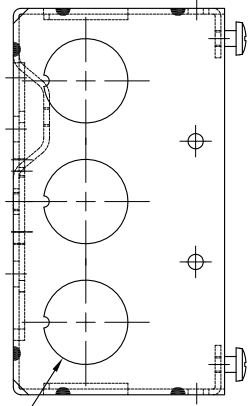
12 PLACES SPOT WELDING



WELDING STYLE DETAIL VIEW D

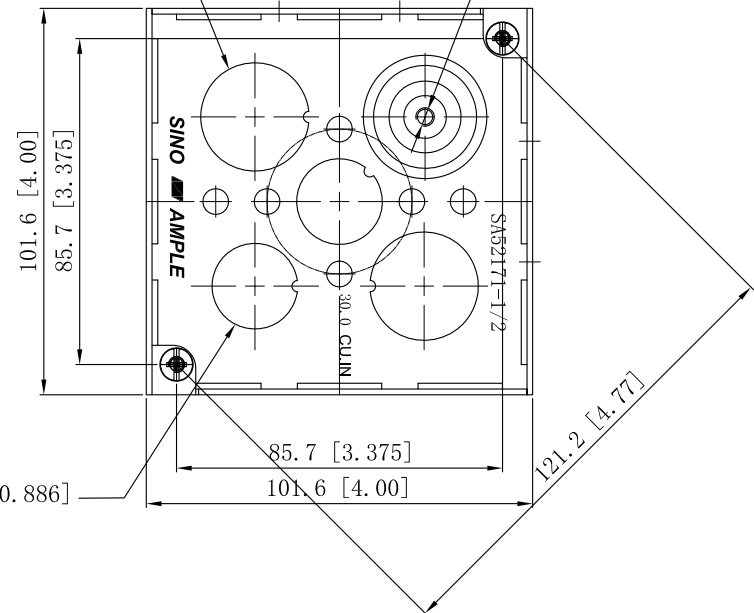
2 3/4" KNOCKOUTS  $\phi = 28.50$  [ $\phi = 1.122$ ]

#10-32 UNF

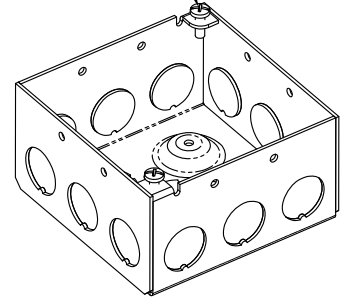


12 1/2" KNOCKOUTS  $\phi = 22.50$  [ $\phi = 0.886$ ]

2 1/2" KNOCKOUTS  $\phi = 22.50$  [ $\phi = 0.886$ ]



#8-32, X2



This data sheet is for reference only. SINO AMPLE reserves the right to make changes to the design without prior notice.

DESCRIPTION
TRADE REFERENCE TERMS

STANDARD PACKING
25 PCS

TITLE		ZHUJI SINO AMPLE METAL PRODUCTS CO., LTD.	
SIZE		4" SQUARE BOXES 2-1/8" DEEP	
A4	DWG NO.	SA52171-1/2	REV A
DATA SHEET			