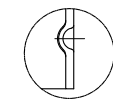
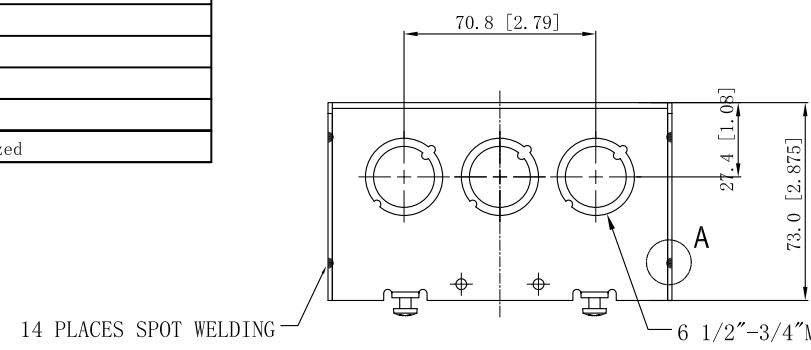


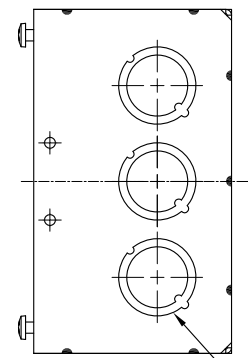
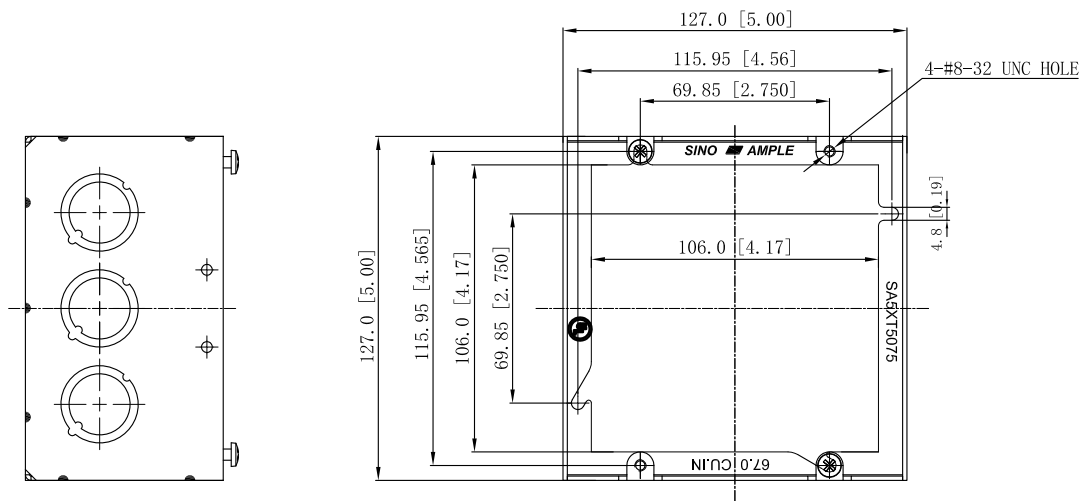
SIDES	BOTTOM
6 1/2"-3/4" KNOCKOUTS	
6 1/2"-3/4" KNOCKOUTS	
2 PCS 8-32X1/2 Screws Installed	
Material:Steel-0.0625"-G60 Galvanized	



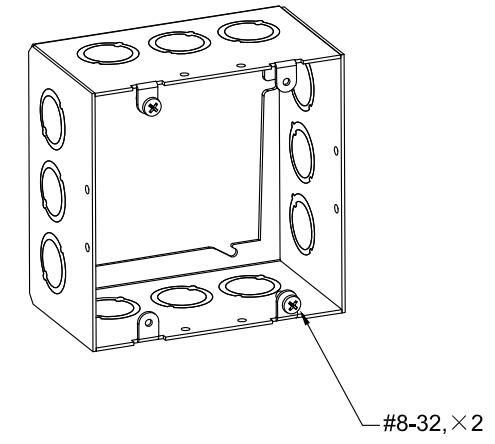
WELDING STYLE DETAIL VIEW A

14 PLACES SPOT WELDING

6 1/2"-3/4"MOON KNOCKOUTS  $\phi=22.50$  [  $\phi=0.886$  ]  
 $\phi=28.50$  [  $\phi=1.122$  ]



6 1/2"-3/4"MOON KNOCKOUTS  $\phi=22.50$  [  $\phi=0.886$  ]  
 $\phi=28.50$  [  $\phi=1.122$  ]



DESCRIPTION
TRADE REFERENCE TERMS

This data sheet is for reference only.SINO AMPLE reserves the right to make changes to the design without prior notice.

STANDARD PACKING	ZHUJI SINO AMPLE METAL PRODUCTS CO., LTD.		
	TITLE 5 in. Square X 2.875" Deep Metal Box		
SIZE A4	DWG NO. SA5XT5075	REV A	
DATA SHEET			