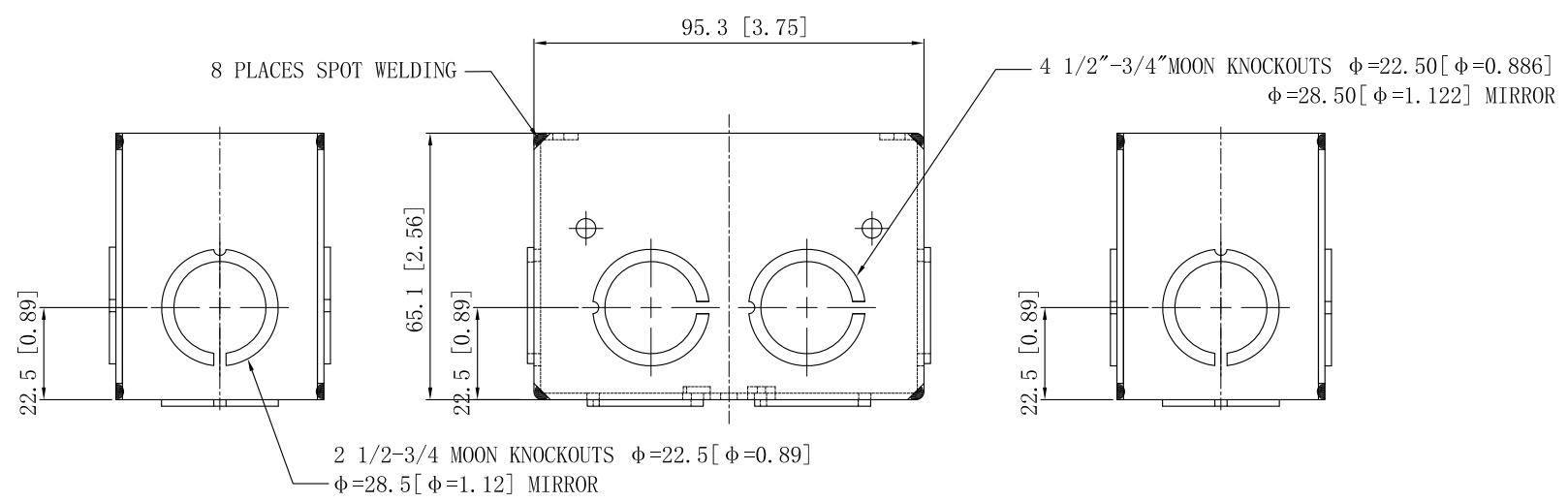
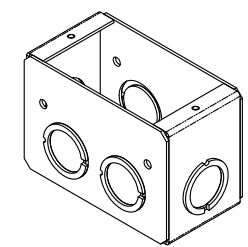
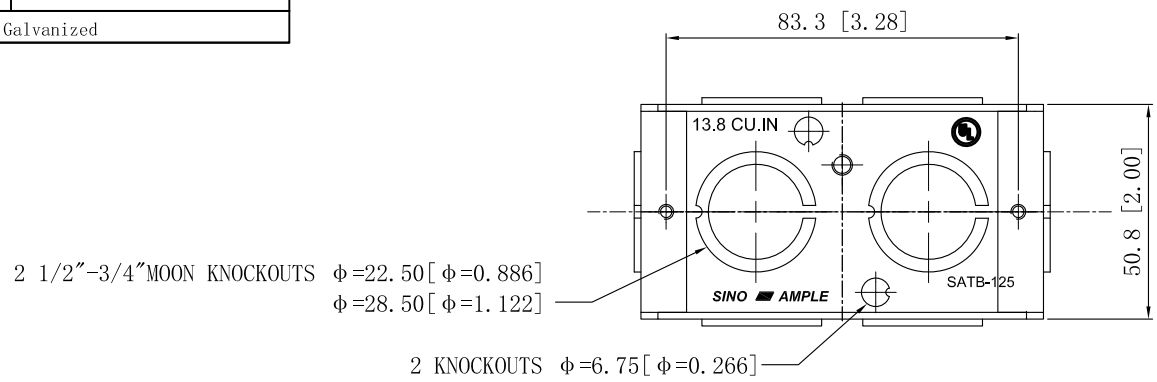


SIDES	BOTTOM
6 1/2"-3/4" MOON KNOCKOUTS	2 1/2"-3/4" MOON KNOCKOUTS
Material:Steel-0.0625"-G60 Galvanized	



This data sheet is for reference only .SINO AMPLE reserves the right to make changes to the design without prior notice.

DESCRIPTION
TRADE REFERENCE TERMS

STANDARD PACKING	ZHUJI SINO AMPLE METAL PRODUCTS CO., LTD.		
20 PCS	TITLE SOLID MASONRY BOX 2-1/2" DEEP		
	SIZE A4	DWG NO. SATB-125	REV A
	DATA SHEET		