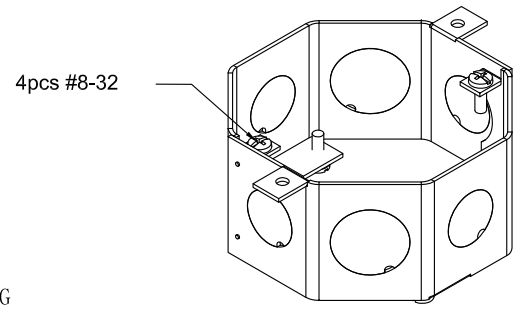
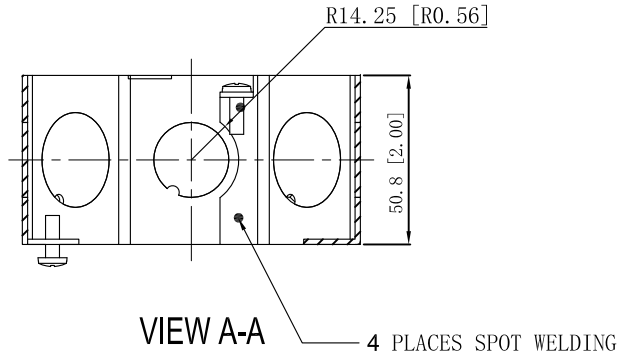
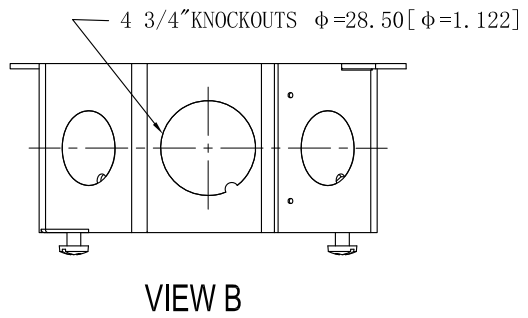
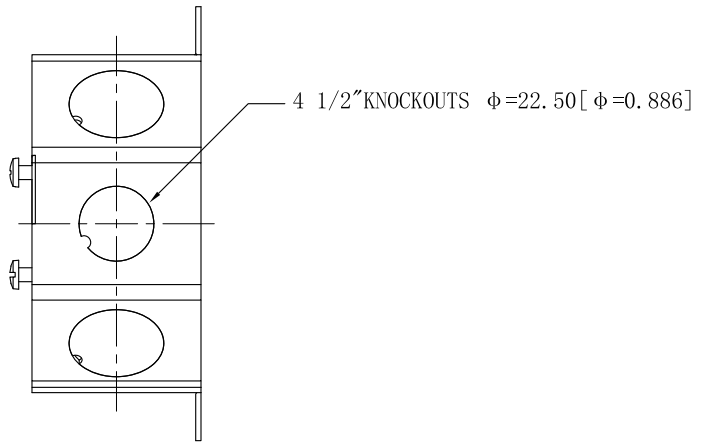
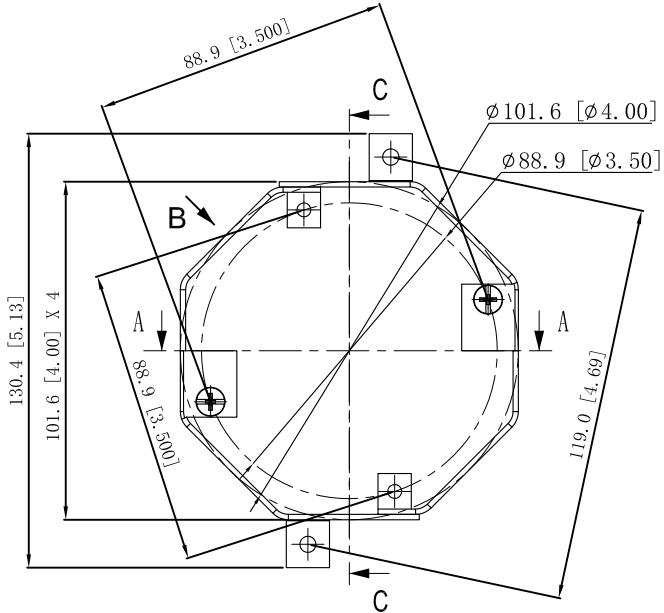
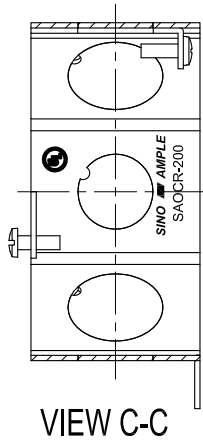


|                                       |               |
|---------------------------------------|---------------|
| <b>SIDES</b>                          | <b>BOTTOM</b> |
| 4 1/2" KNOCKOUTS                      |               |
| 4 3/4" KNOCKOUTS                      |               |
| 4 PCS 8-32×1/2 Screws Installed       |               |
| Material:Steel-0.0625"-G60 Galvanized |               |



|                              |
|------------------------------|
| <b>DESCRIPTION</b>           |
|                              |
| <b>TRADE REFERENCE TERMS</b> |
|                              |

This data sheet is for reference only .SINO AMPLE reserves the right to make changes to the design without prior notice.

|                         |  |                             |                 |
|-------------------------|--|-----------------------------|-----------------|
| <b>STANDARD PACKING</b> | <b>ZHUJI SINO AMPLE METAL PRODUCTS CO., LTD.</b> |                             |                 |
| 20 PCS                  | <b>TITLE</b><br>OCTAGON CONCRETE RINGS           |                             |                 |
|                         | <b>SIZE</b><br>A4                                | <b>DWG NO.</b><br>SAOCR-200 | <b>REV</b><br>A |
|                         | <b>DATA SHEET</b>                                |                             |                 |