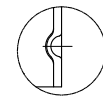
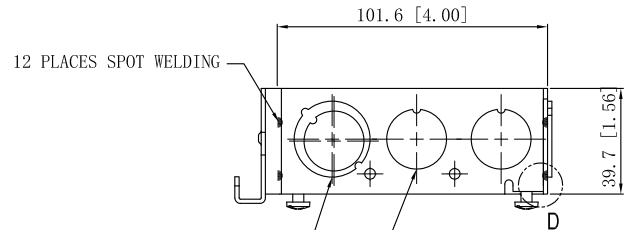
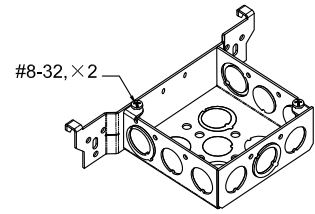


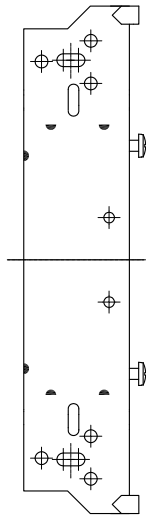
SIDES	BOTTOM
6 1/2" KNOCKOUTS	3 1/2" KNOCKOUTS
3 1/2"-3/4" MOON KNOCKOUTS	2 1/2"-3/4" MOON KNOCKOUTS
2 PCS 8-32×1/2 Screws Installed	
Material: Steel-0.0625"-G60 Galvanized	



WELDING STYLE DETAIL VIEW D



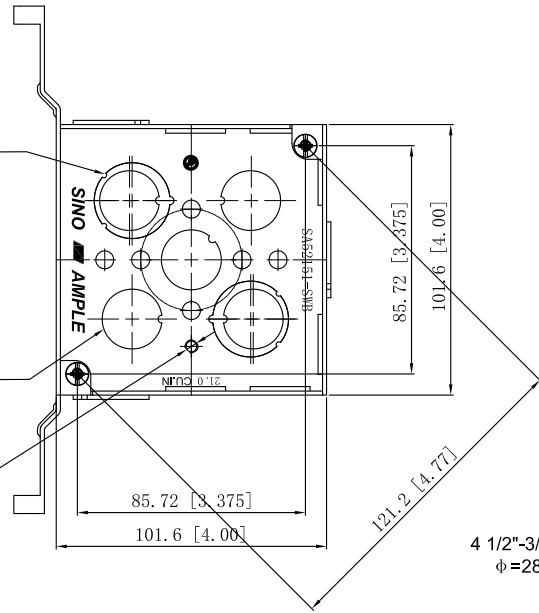
4 1/2"-3/4" MOON KNOCKOUTS $\phi=22.5[\phi=0.89]$
 $\phi=28.5[\phi=1.12]$ MIRROR
 2 1/2" KNOCKOUTS $\phi=22.5[\phi=0.89]$
 MIRROR



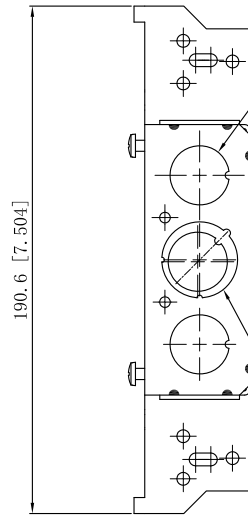
2 1/2"-3/4" MOON KNOCKOUTS $\phi=22.5[\phi=0.89]$
 $\phi=28.5[\phi=1.12]$

3 1/2" KNOCKOUTS $\phi=22.5[\phi=0.89]$

#10-32 UNF



2 1/2" KNOCKOUTS $\phi=22.5[\phi=0.89]$



4 1/2"-3/4" MOON KNOCKOUTS $\phi=22.5[\phi=0.89]$
 $\phi=28.5[\phi=1.12]$

This data sheet is for reference only. SINO AMPLE reserves the right to make changes to the design without prior notice.

DESCRIPTION
TRADE REFERENCE TERMS

STANDARD PACKING
25 PCS

TITLE		
ZHUJI SINO AMPLE METAL PRODUCTS CO., LTD.		
4" SQ. BRACKET BOXES (1-1/2" DEEP)		
SIZE	DWG NO.	REV
A4	SA52151-SWB	A
DATA SHEET		