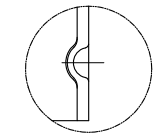
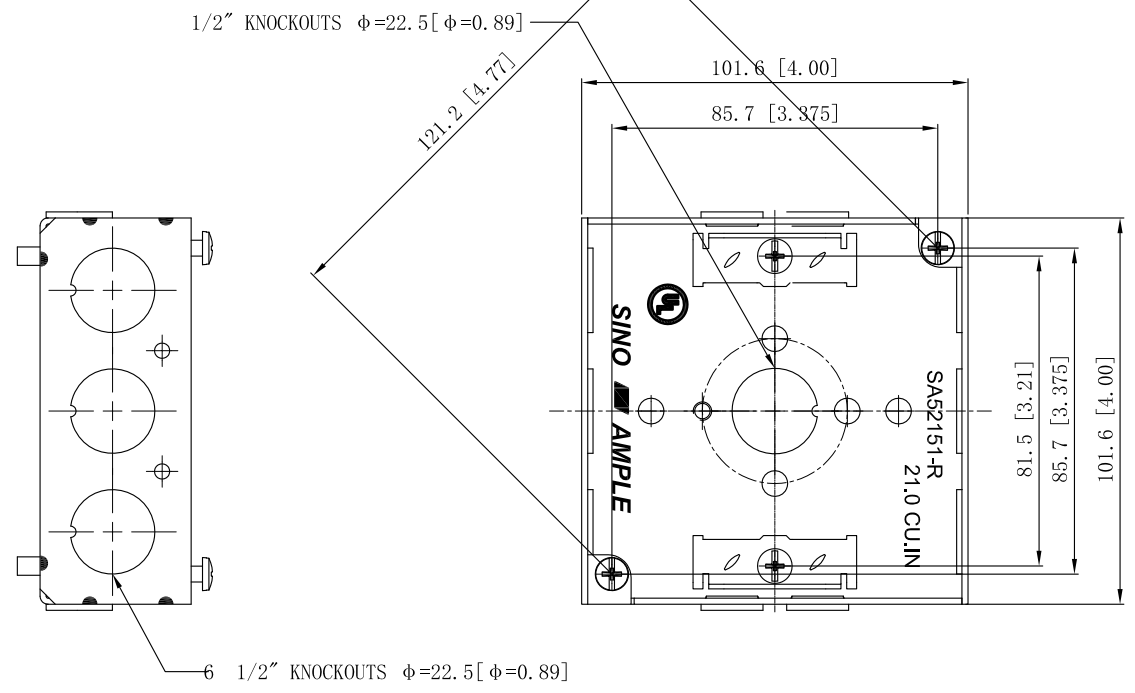
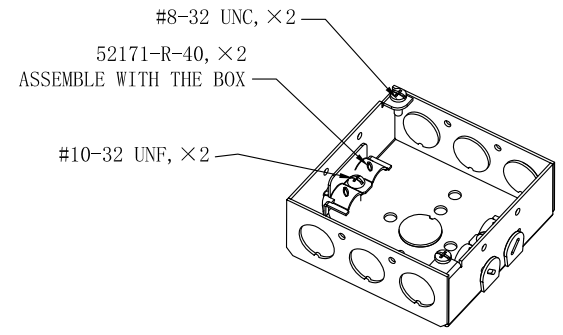
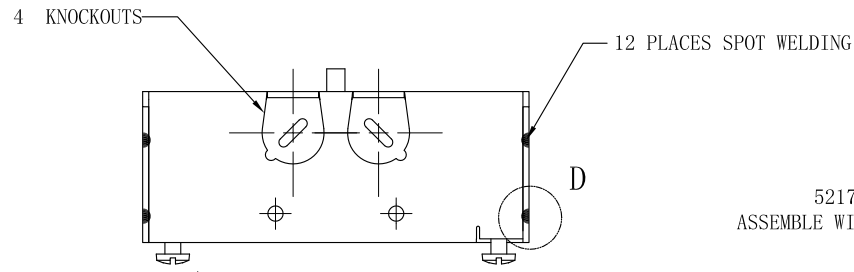


<b>SIDES</b>	<b>BOTTOM</b>
4 KNOCKOUTS	1/2" KNOCKOUTS
6 1/2" KNOCKOUTS	
2 PCS 8-32×1/2 Screws Installed	
2 PCS 10-32×1 Screws Installed	
Material:Steel-0.0625"-G60 Galvanized	



WELDING STYLE DETAIL VIEW D

This data sheet is for reference only.SINO AMPLE reserves the right to make changes to the design without prior notice.

<b>DESCRIPTION</b>
<b>TRADE REFERENCE TERMS</b>

<b>STANDARD PACKING</b>	<b>ZHUJI SINO AMPLE METAL PRODUCTS CO., LTD.</b>		
50 PCS	TITLE 4" SQUARE BOXES (1-1/2" DEEP)		
	SIZE A4	DWG NO. SA52151-R	REV A
	DATA SHEET		