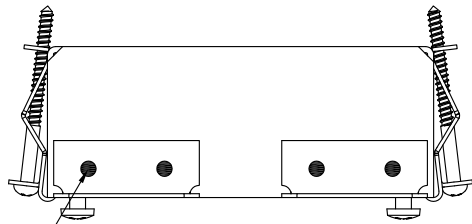
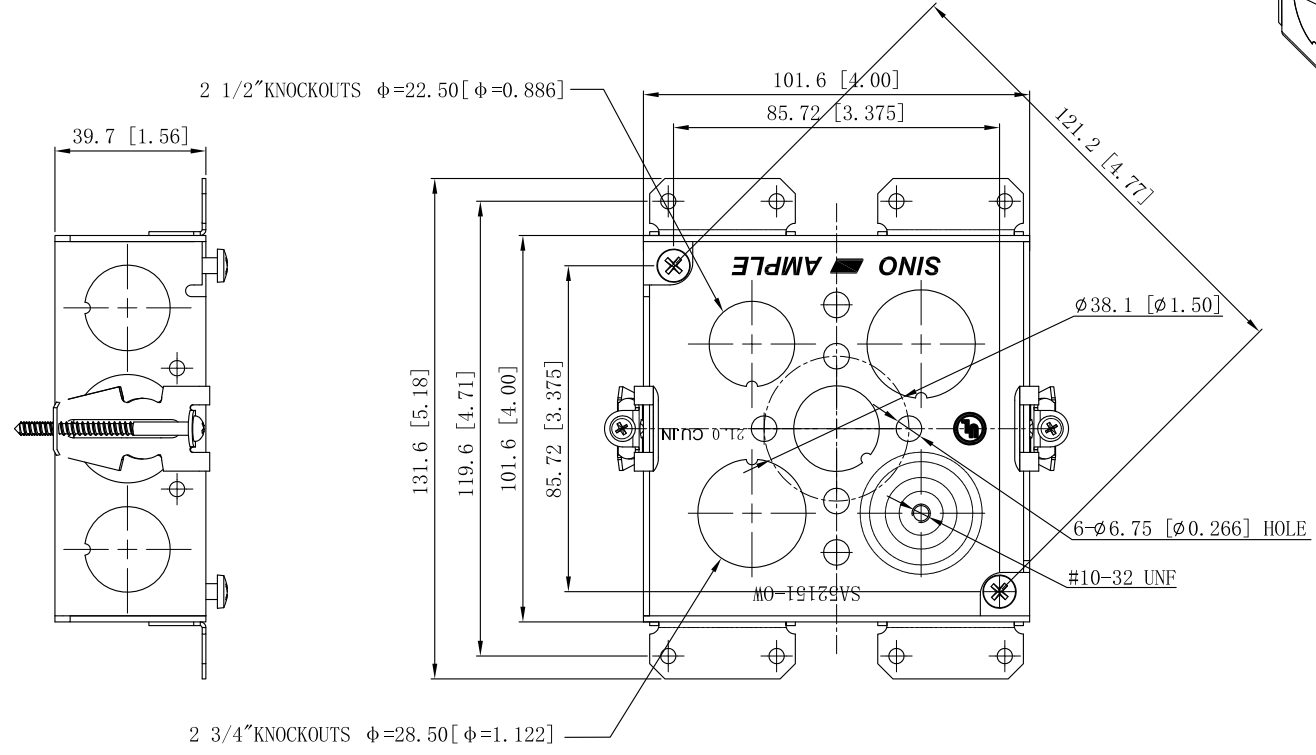
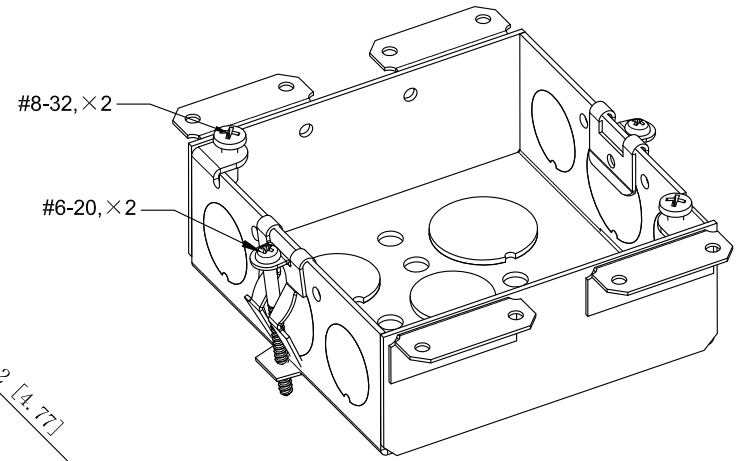


<b>SIDES</b>	<b>BOTTOM</b>
4 1/2" KNOCKOUTS	2 1/2" KNOCKOUTS
2 3/4" KNOCKOUTS	2 3/4" MOON KNOCKOUTS
2 PCS #8-32×1/2" Screws Installed	
2 PCS #6-202×1 7/8" Screws Installed	
Material:Steel-0.0625"-G60 Galvanized	



8 PLACES SPOT WELDING



DESCRIPTION
TRADE REFERENCE TERMS

This data sheet is for reference only. SINO AMPLE reserves the right to make changes to the design without prior notice.

STANDARD PACKING	ZHUJI SINO AMPLE METAL PRODUCTS CO., LTD.		
	TITLE 4" SQUARE BOXES 1-1/2" DEEP		
SIZE A4	DWG NO. SA52151-OW	REV A	
DATA SHEET			