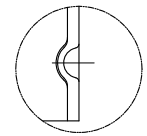
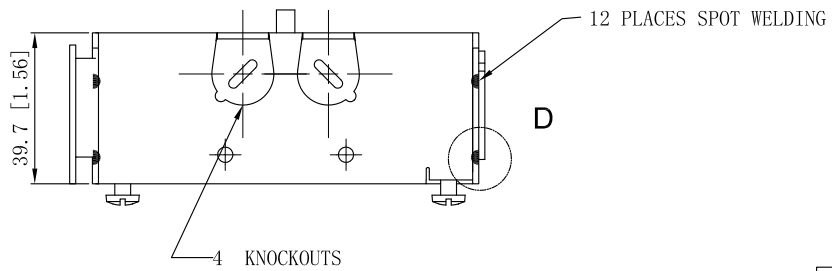
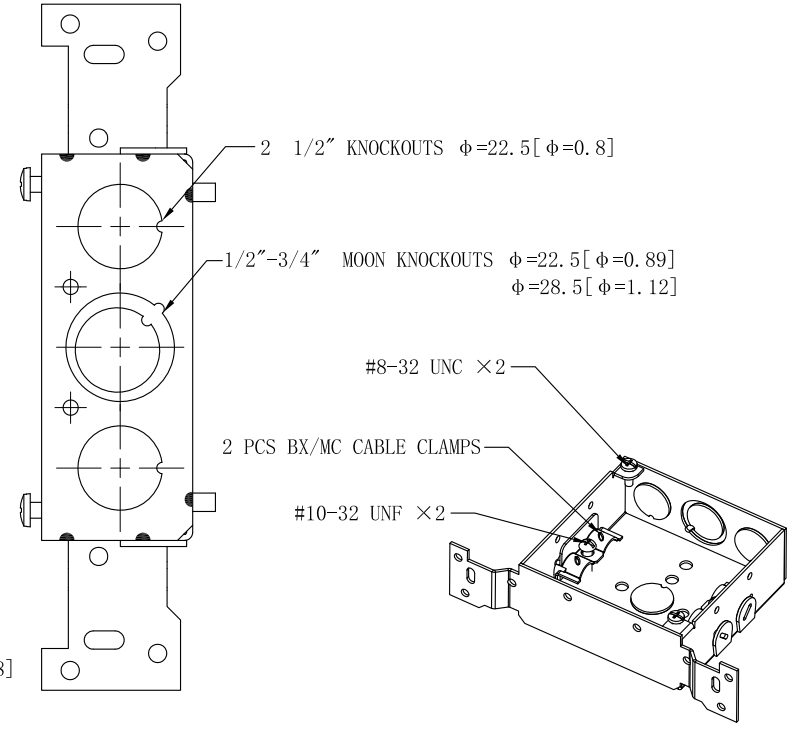
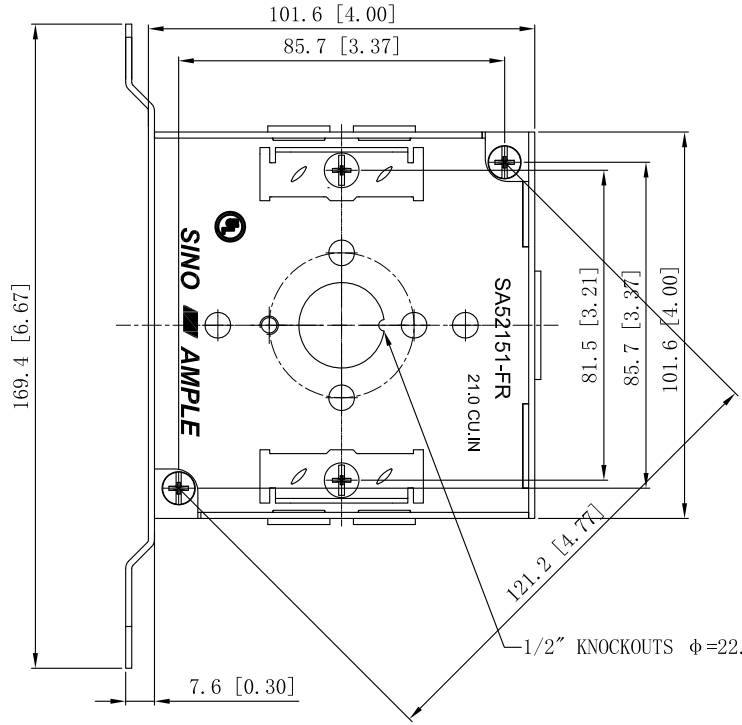
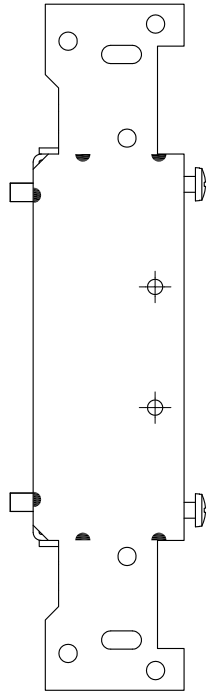


| | |
|---------------------------------------|----------------|
| SIDES | BOTTOM |
| 4 KNOCKOUTS | 1/2" KNOCKOUTS |
| 2 1/2" KNOCKOUTS | |
| 1/2"-3/4" MOON KNOCKOUTS | |
| 2 PCS 8-32×1/2 Screws Installed | |
| 2 PCS 10-32×1 Screws Installed | |
| Material:Steel-0.0625"-G60 Galvanized | |



WELDING STYLE DETAIL VIEW D



| |
|------------------------------|
| DESCRIPTION |
| |
| TRADE REFERENCE TERMS |
| |

This data sheet is for reference only.SINO AMPLE reserves the right to make changes to the design without prior notice.

| | | | |
|-------------------------|--|-----------------------|----------|
| STANDARD PACKING | ZHUJI SINO AMPLE METAL PRODUCTS CO., LTD. | | |
| 25 PCS | TITLE 4"SQ. BRACKET BOXES (1-1/2"DEEP) | | |
| | SIZE A4 | DWG NO. SA52151-FR | REV A |
| | DATA SHEET | | |