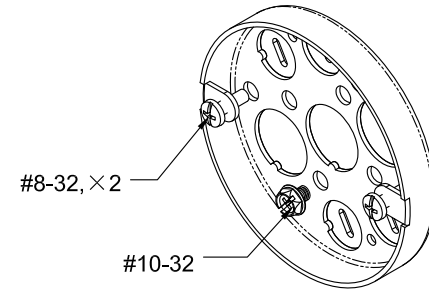
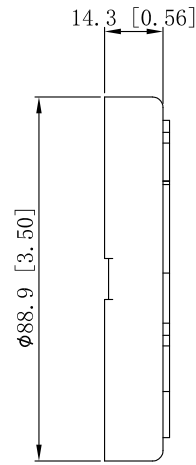
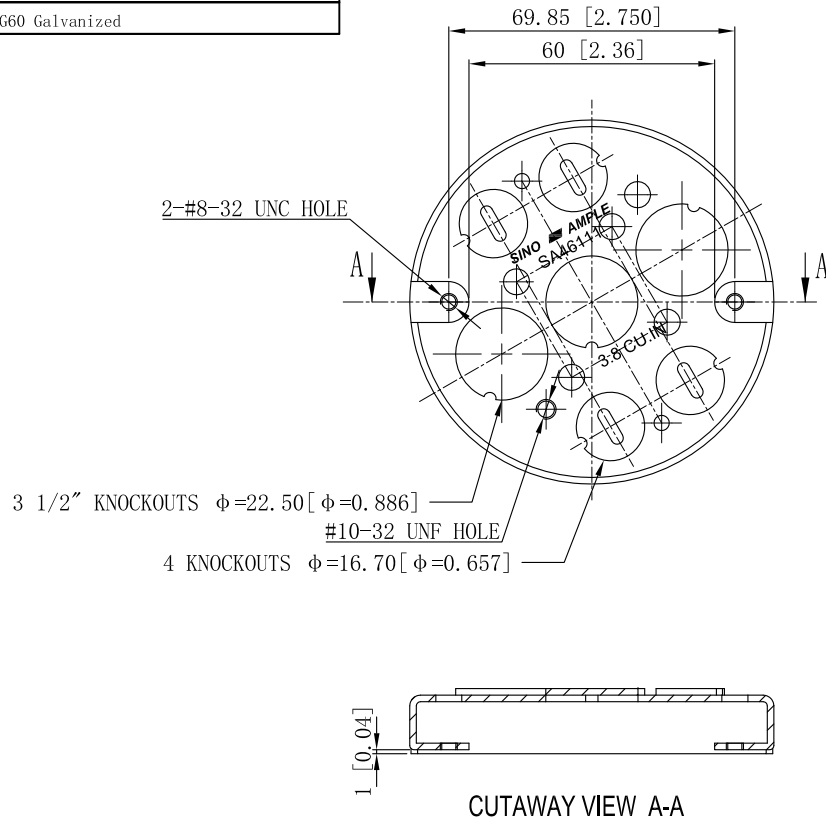


SIDES	BOTTOM
	3 1/2" KNOCKOUTS
	4 KNOCKOUTS
2 PCS 8-32×1/2 Screws Installed	
1 PCS 10-32×3/8 Screws Installed	
Material:Steel-0.0625"-G60 Galvanized	



DESCRIPTION
TRADE REFERENCE TERMS

This data sheet is for reference only .SINO AMPLE reserves the right to make changes to the design without prior notice.

STANDARD PACKING	ZHUJI SINO AMPLE METAL PRODUCTS CO., LTD.		
50 PCS	TITLE "3-1/2" ROUND CEILING PLATES&FAN BOX		
	SIZE A4	DWG NO. SA46111	REV A
	DATA SHEET		