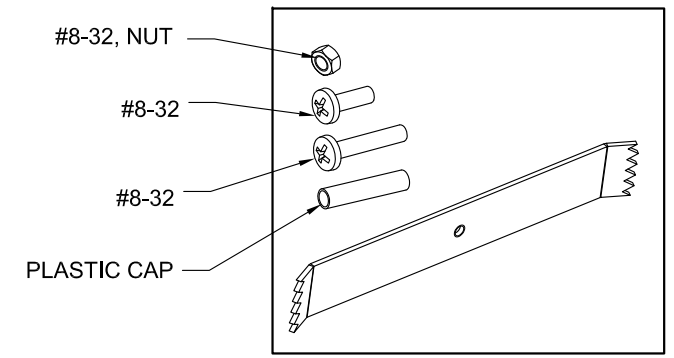
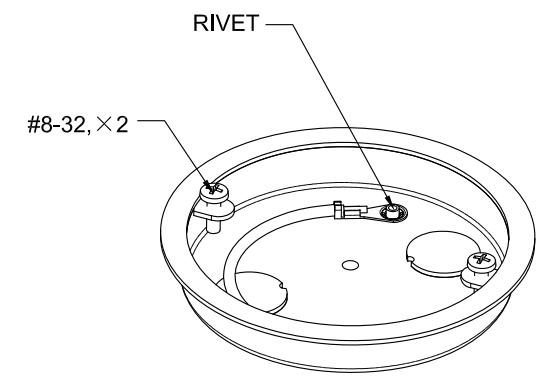
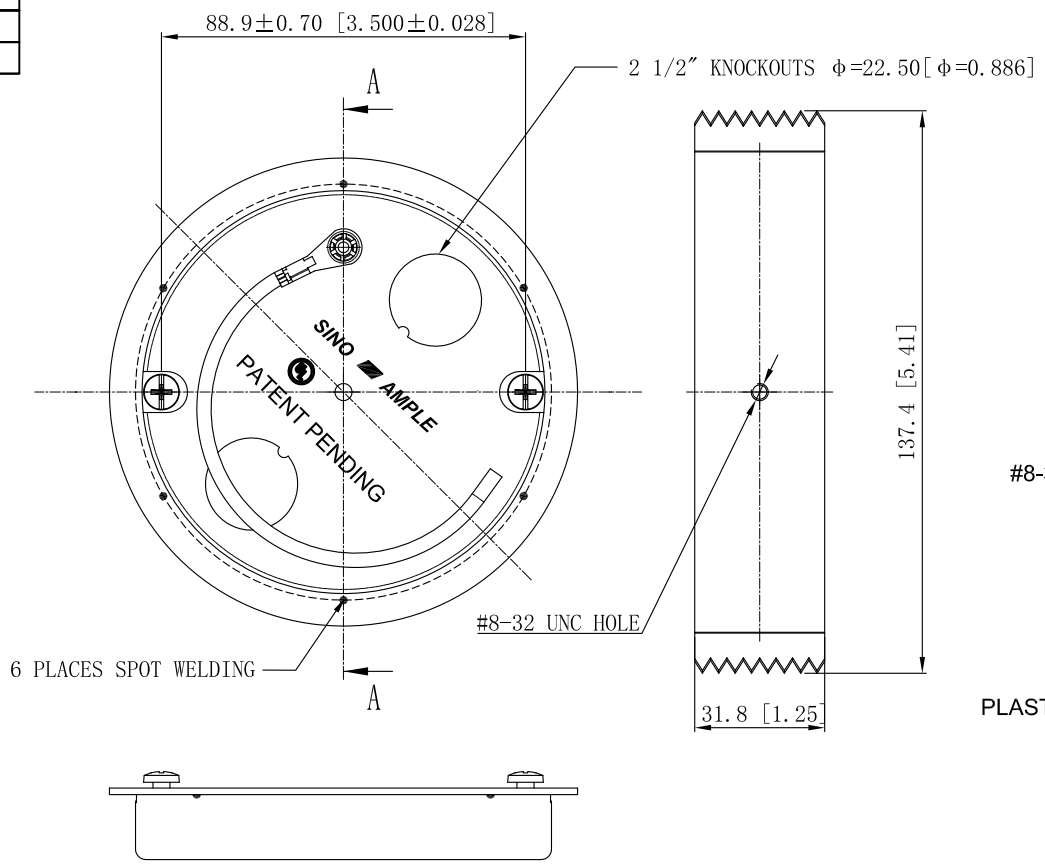
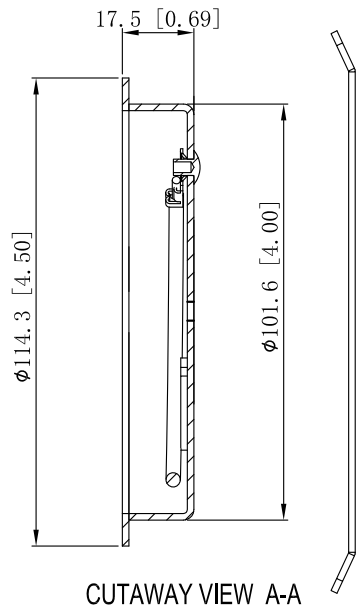


SIDES	BOTTOM
	2 1/2" KNOCKOUTS
2 PCS #8-32×1/2 Screws Installed	
1 PCS #8-32×1/2 Screws Installed	
1 PCS #8-32×1 1/4 Screws Installed	
1 PCS #8-32 nuts	
Rivet a #12 ga stranded green grounding pigtail of the box	
Material:Steel-0.0625"-G60 Galvanized	



DESCRIPTION
TRADE REFERENCE TERMS

STANDARD PACKING	ZHUJI SINO AMPLE METAL PRODUCTS CO., LTD.		
50 PCS	TITLE "4" ROUND CEILING PLATES&FAN BOX		
	SIZE A4	DWG NO. SA56111-OW	REV A
DATA SHEET			

This data sheet is for reference only .SINO AMPLE reserves the right to make changes to the design without prior notice.