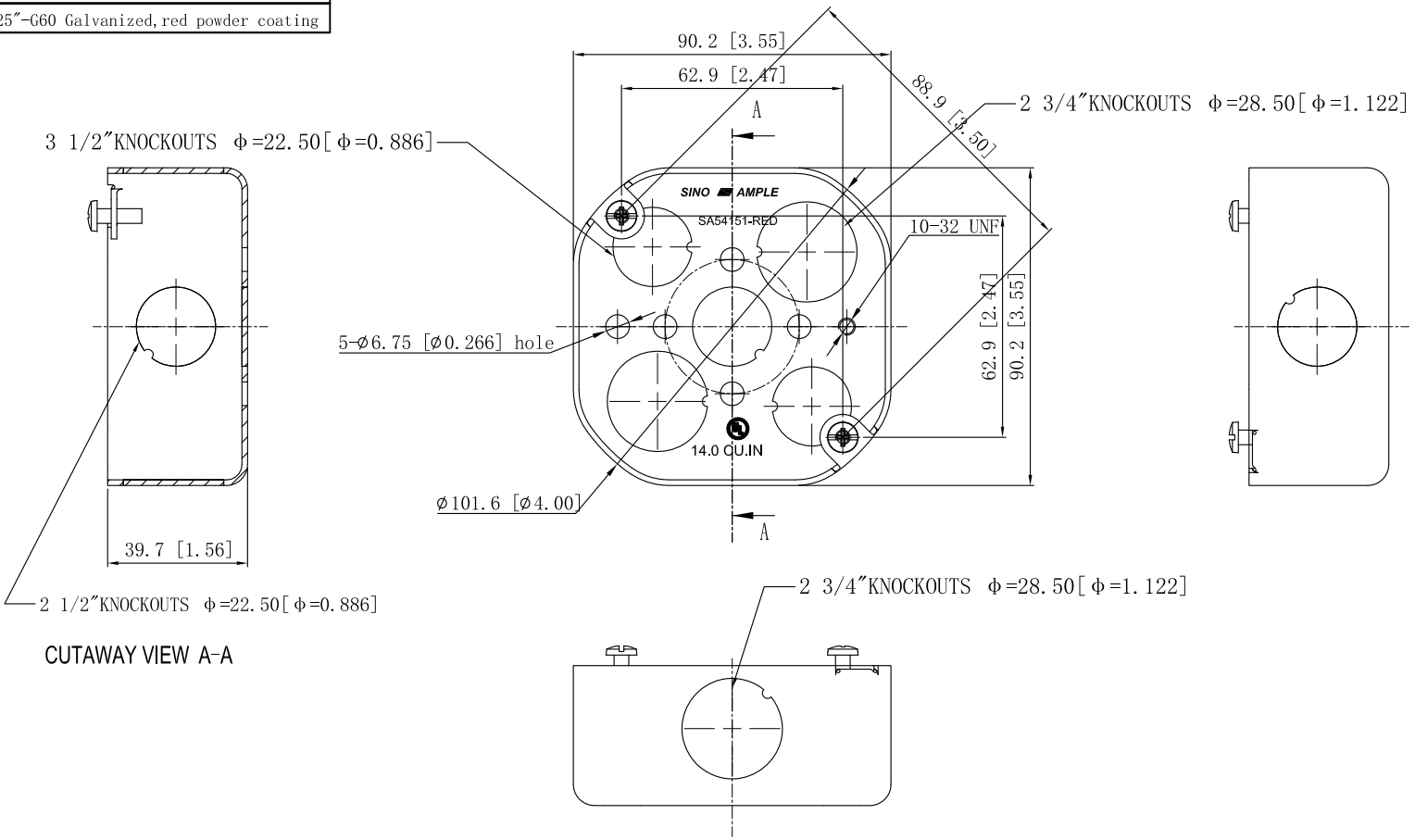


SIDES	BOTTOM
2 1/2" KNOCKOUTS	3 1/2" KNOCKOUTS
2 3/4" KNOCKOUTS	2 3/4" KNOCKOUTS
2 PCS 8-32×1/2 Screws Installed	
Material:Steel-0.0625"-G60 Galvanized, red powder coating	



This data sheet is for reference only.SINO AMPLE reserves the right to make changes to the design without prior notice.

DESCRIPTION
TRADE REFERENCE TERMS

STANDARD PACKING	ZHUJI SINO AMPLE METAL PRODUCTS CO., LTD.		
	TITLE 4"OCTAGON BOXES 1-1/2"DEEP		
50 PCS	SIZE	DWG NO.	REV
	A4	SA54151-RED	A
DATA SHEET			
www.garvinindustries.com			