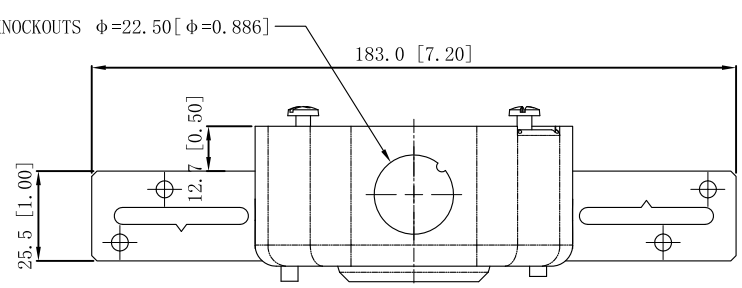
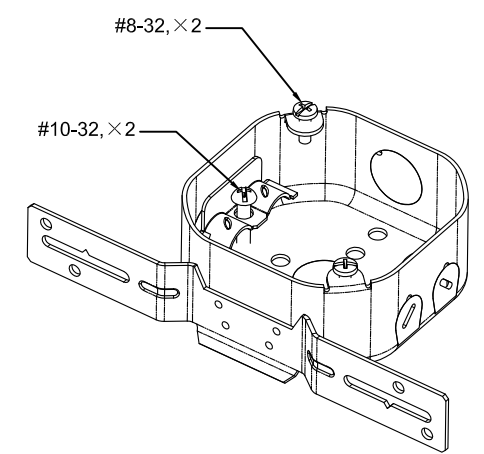
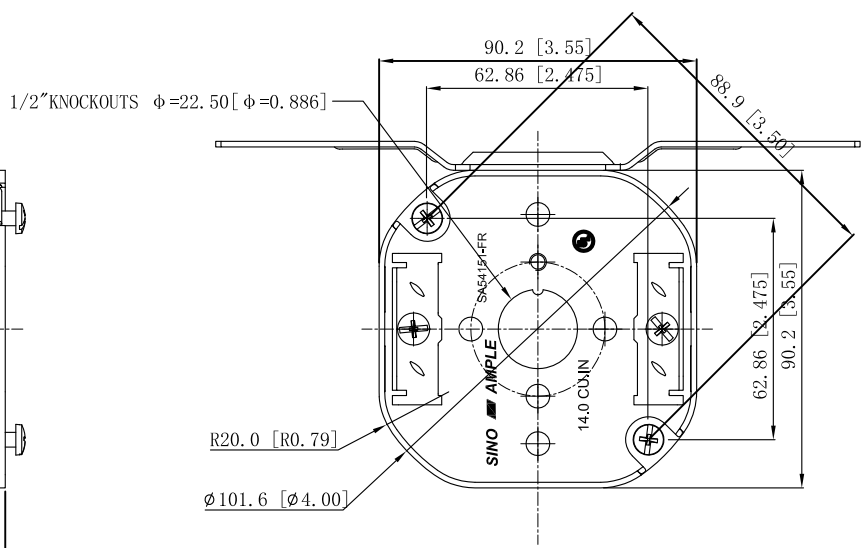
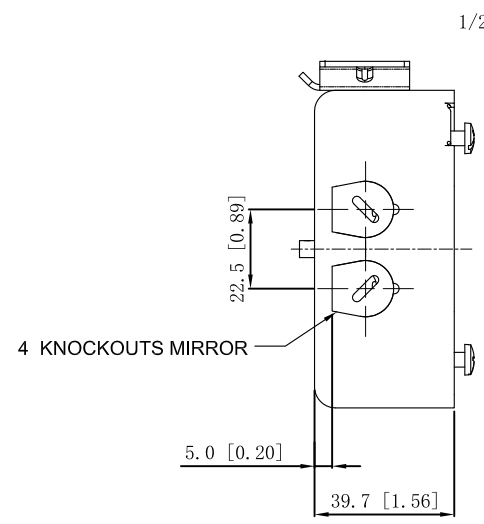
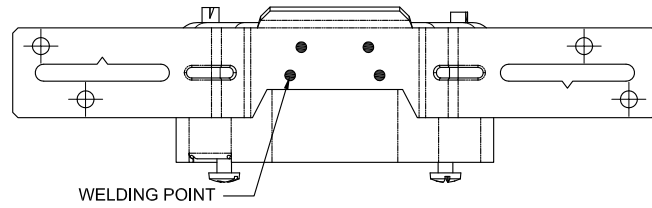


<b>SIDES</b>	<b>BOTTOM</b>
1/2"KNOCKOUTS	1/2"KNOCKOUTS
4KNOCKOUTS	
2 PCS 8-32×1/2 Screws Installed	
2 PCS 10-32×1 Screws Installed	
Material:Steel-0.0625"-G60 Galvanized	



This data sheet is for reference only.SINO AMPLE reserves the right to make changes to the design without prior notice.

<b>DESCRIPTION</b>
<b>TRADE REFERENCE TERMS</b>

<b>STANDARD PACKING</b>	<b>ZHUJI SINO AMPLE METAL PRODUCTS CO., LTD.</b>		
25 PCS	TITLE <b>4"OCTAGON BOXES 1-1/2"DEEP</b>		
	SIZE A4	DWG NO. SA54151-FR	REV A
DATA SHEET			
www.garvinindustries.com			