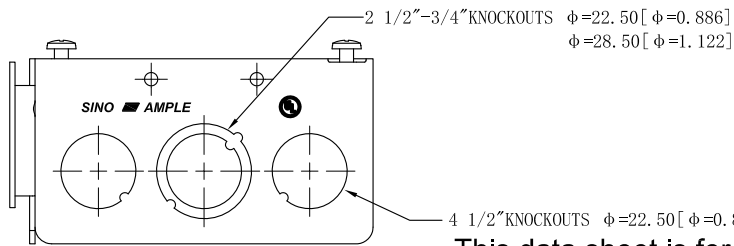
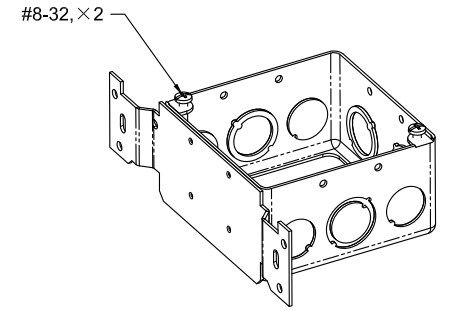
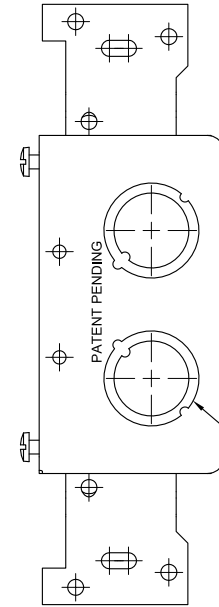
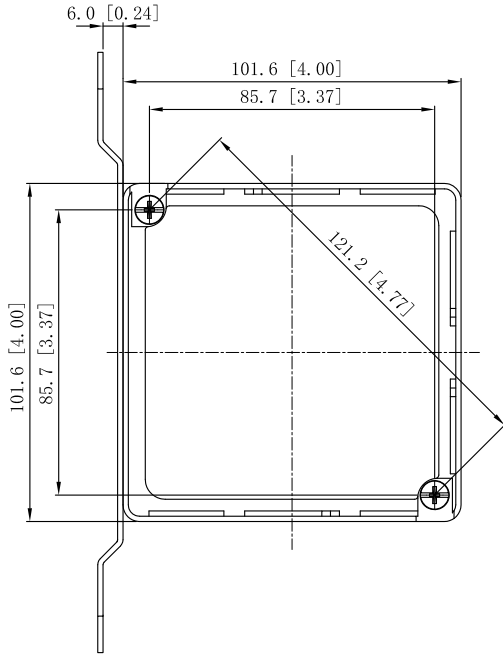
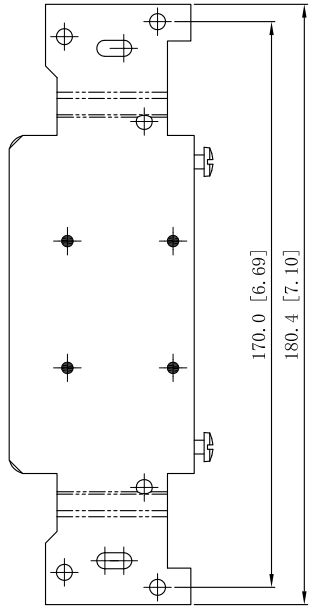
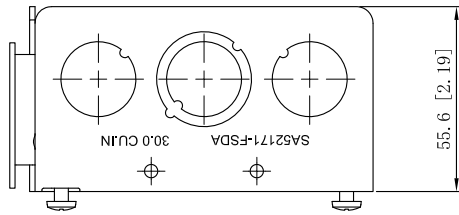


<b>SIDES</b>	<b>BOTTOM</b>
4 1/2" KNOCKOUTS	
4 1/2"-3/4" MOON KNOCKOUTS	
2 PCS 8-32x1/2 Screws Installed	
Material: Steel-0.0625"-G60 Galvanized	



2 1/2"-3/4" KNOCKOUTS  $\phi=22.50 [\phi=0.886]$   
 $\phi=28.50 [\phi=1.122]$

This data sheet is for reference only .SINO AMPLE reserves the right to make changes to the design without prior notice.

<b>DESCRIPTION</b>
PATENT PENDING
<b>TRADE REFERENCE TERMS</b>

<b>STANDARD PACKING</b>
25 PCS

<b>ZHUJI SINO AMPLE METAL PRODUCTS CO., LTD.</b>		
TITLE 4" SQ. BRACKET BOXES 2-1/8" DEEP		
SIZE A4	DWG NO. SA52171-FSDA	REV A
DATA SHEET		