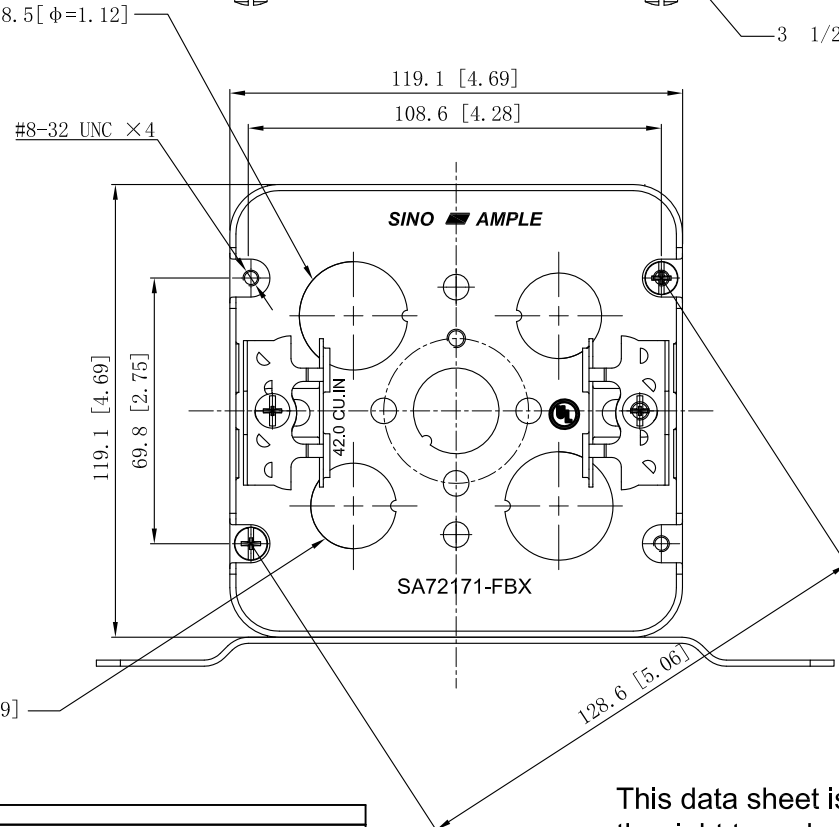
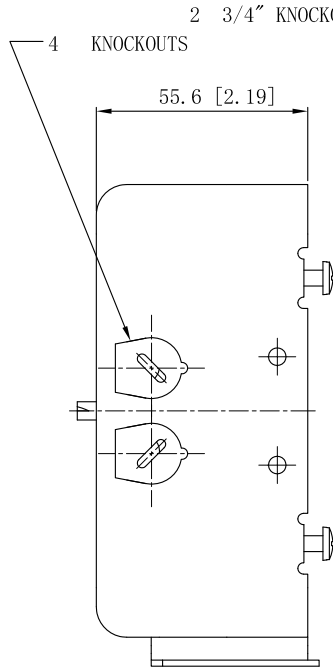
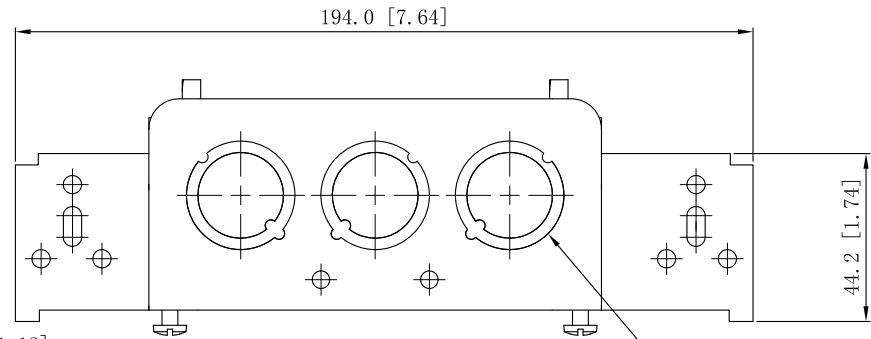
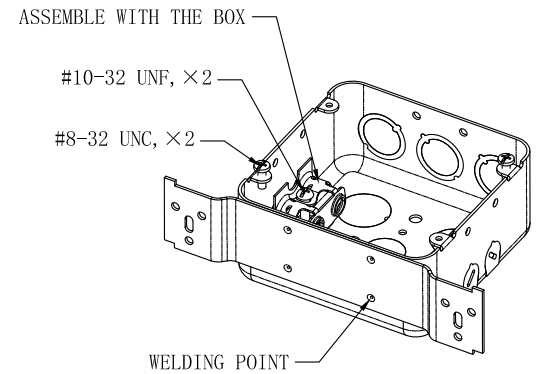


SIDES	BOTTOM
4 KNOCKOUTS	3 1/2" KNOCKOUTS
6 1/2"-3/4" MOON KNOCKOUTS	2 3/4" KNOCKOUTS
2 PCS 8-32×1/2 Screws Installed	
2 PCS 10-32×1 Screws Installed	
Material:Steel-0.0625"-G60 Galvanized	



3 1/2"-3/4" MOON KNOCKOUTS $\phi=28.5[\phi=1.12]$
 $\phi=22.5[\phi=0.89]$



This data sheet is for reference only. SINO AMPLE reserves the right to make changes to the design without prior notice.

DESCRIPTION
TRADE REFERENCE TERMS

STANDARD PACKING	ZHUJI SINO AMPLE METAL PRODUCTS CO., LTD.		
25 PCS	TITLE	4-11/16" SQUARE "DRAWN" BOXES (2-1/8" DEEP)	
	SIZE	DWG NO.	REV
	A4	SA72171-FBX	A
		DATA SHEET	