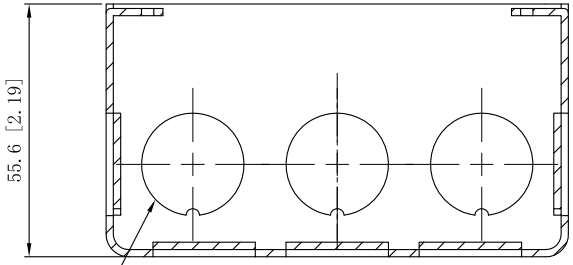
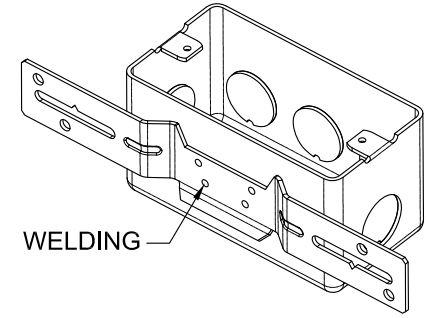


SIDES	BOTTOM
5 1/2" KNOCKOUTS	3 1/2" KNOCKOUTS
Material: Steel-0.0625"-G60 Galvanized	

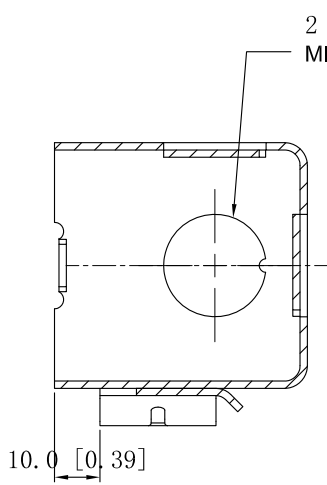


CUTAWAY VIEW A-A

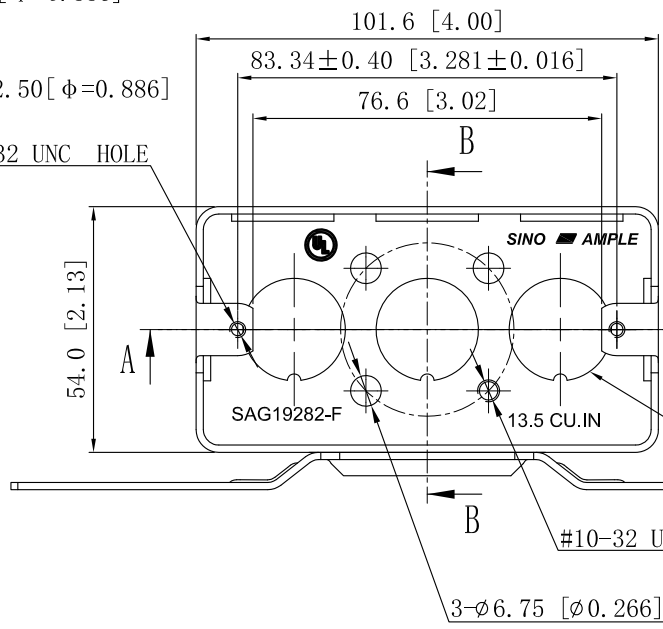
3 1/2" KNOCKOUTS $\phi=22.50$ [$\phi=0.886$]



WELDING



CUTAWAY VIEW B-B



3 1/2" KNOCKOUTS $\phi=22.50$ [$\phi=0.886$]

This data sheet is for reference only .SINO AMPLE reserves the right to make changes to the design without prior notice.

DESCRIPTION
TRADE REFERENCE TERMS

STANDARD PACKING	ZHUJI SINO AMPLE METAL PRODUCTS CO. , LTD.		
25 PCS	TITLE HANDY UTILITY BOXES & EXTENSION RINGS		
	SIZE A4	DWG NO. SAG19282-F	REV A
DATA SHEET			