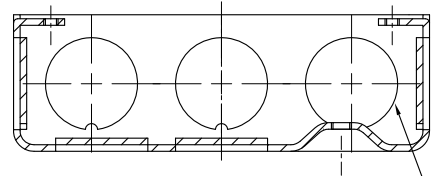
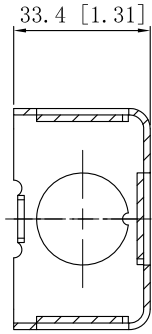
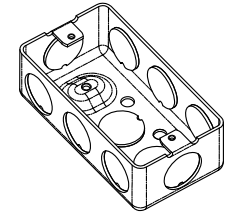


| | |
|--|------------------|
| SIDES | BOTTOM |
| 8 1/2" KNOCKOUTS | 2 1/2" KNOCKOUTS |
| | 1 Ground Hump |
| Material: Steel-0.0625"-G60 Galvanized | |

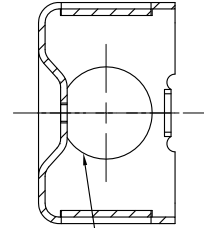
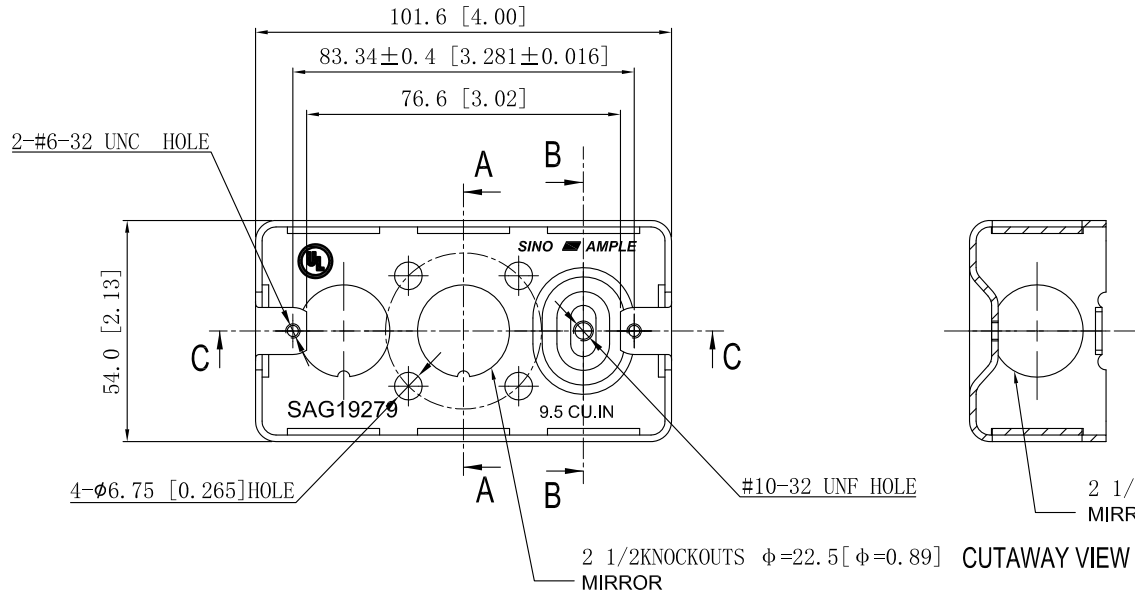


CUTAWAY VIEW C-C

6 1/2" KNOCKOUTS $\phi=22.5 [\phi=0.89]$ MIRROR



CUTAWAY VIEW A-A



CUTAWAY VIEW B-B

2 1/2" KNOCKOUTS $\phi=22.5 [\phi=0.89]$ MIRROR

2 1/2" KNOCKOUTS $\phi=22.5 [\phi=0.89]$ MIRROR

| |
|-----------------------|
| DESCRIPTION |
| |
| TRADE REFERENCE TERMS |
| |

This data sheet is for reference only . SINO AMPLE reserves the right to make changes to the design without prior notice.

| | | | |
|------------------|--|----------|-----|
| STANDARD PACKING | ZHUJI SINO AMPLE METAL PRODUCTS CO., LTD. | | |
| | TITLE HANDY UTILITY BOXES & EXTENSINO RINGS | | |
| 50 PCS | SIZE | DWG NO. | REV |
| | A4 | SAG19279 | A |
| DATA SHEET | | | |