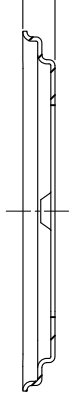
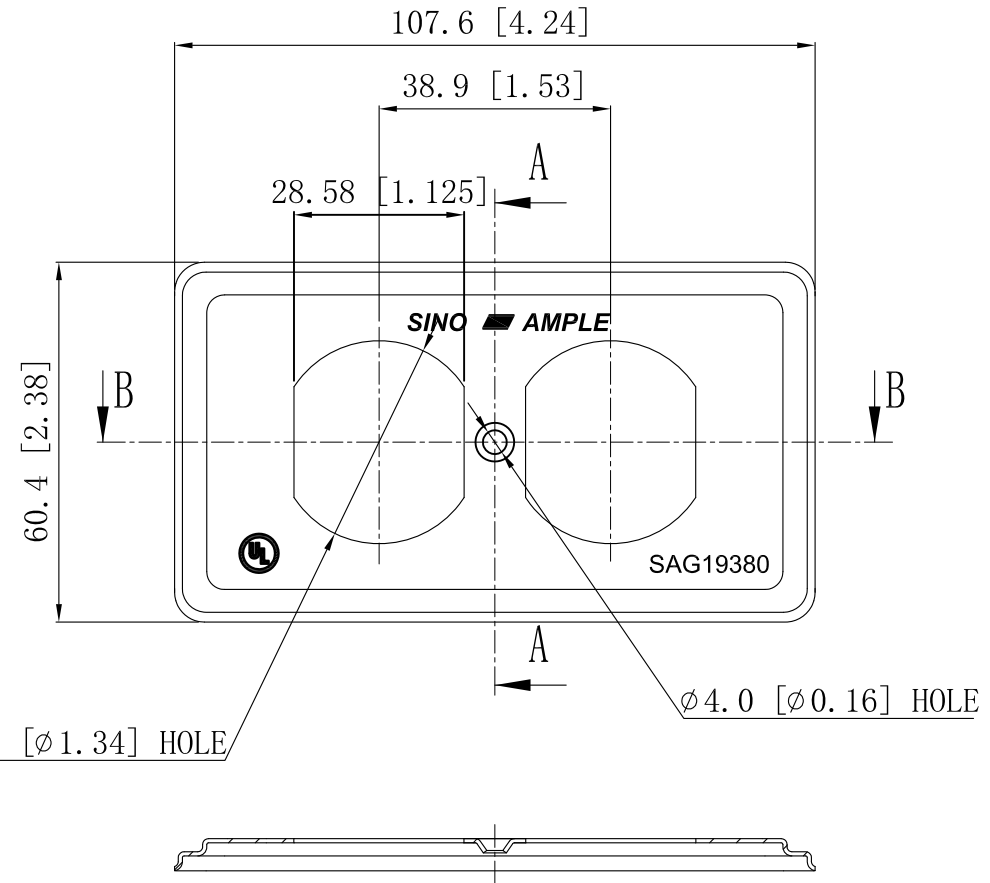


SIDES	BOTTOM
1 pcs captive #6-32×3/8", zinc plated	
Material:Steel-0.031MIN"-G60 Galvanized	

5.4 [0.21]



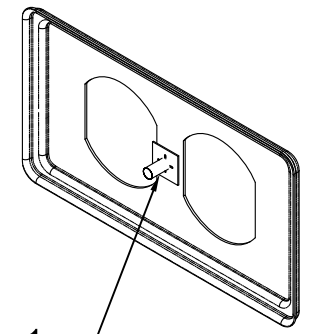
CUTAWAY VIEW A-A



Ø34.1 [Ø1.34] HOLE

Ø4.0 [Ø0.16] HOLE

CUTAWAY VIEW B-B



#6-32 ×1

This data sheet is for reference only .SINO AMPLE reserves the right to make changes to the design without prior notice.

DESCRIPTION
TRADE REFERENCE TERMS

STANDARD PACKING	ZHUJI SINO AMPLE METAL PRODUCTS CO., LTD.		
100 PCS	TITLE HANDY UTILITY BOX COVERS		
	SIZE A4	DWG NO. SAG19380	REV A
	DATA SHEET		