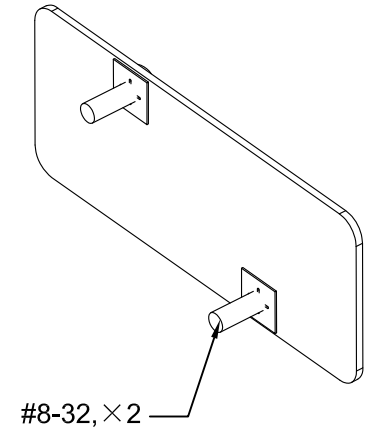
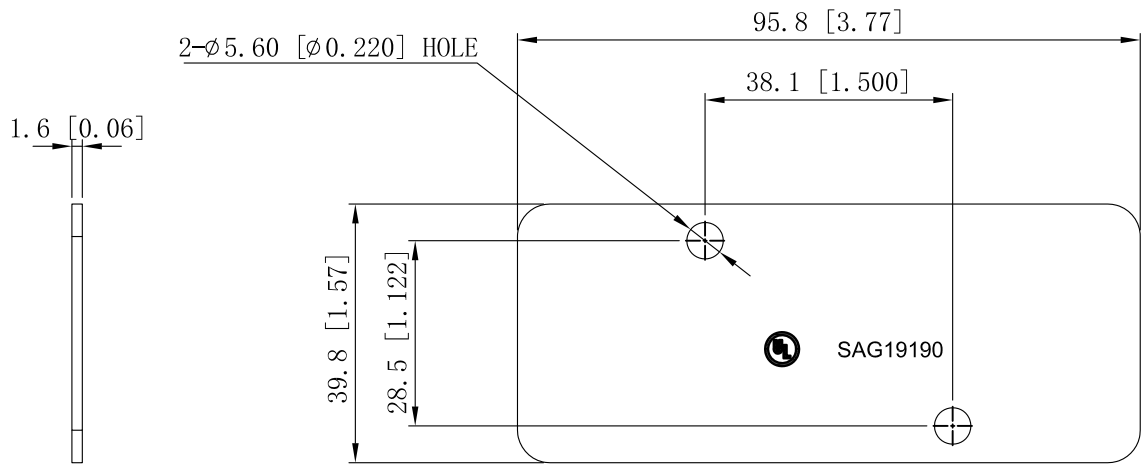


SIDES	BOTTOM
2pcs 8-32×1/2 Screw Installed	
Material:Steel-0.0625"-G60 Galvanized	



DESCRIPTION
TRADE REFERENCE TERMS

This data sheet is for reference only .SINO AMPLE reserves the right to make changes to the design without prior notice.

STANDARD PACKING	ZHUJI SINO AMPLE METAL PRODUCTS CO. , LTD.		
25 PCS	TITLE MINI HANDY BOXES & DEVICE COVERS		
	SIZE A4	DWG NO. SAG19190	REV A
DATA SHEET			