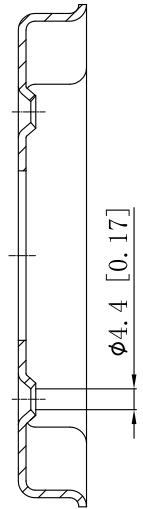
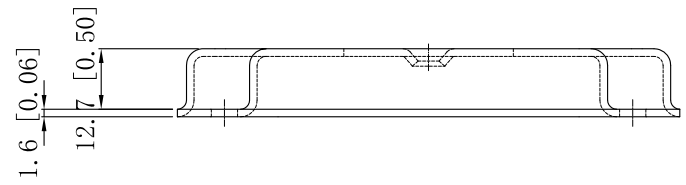
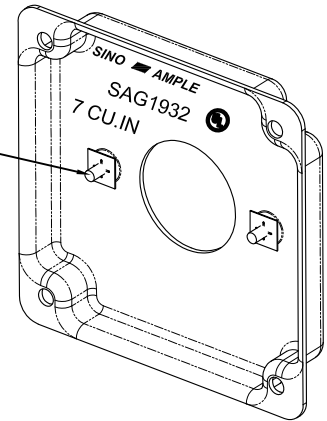
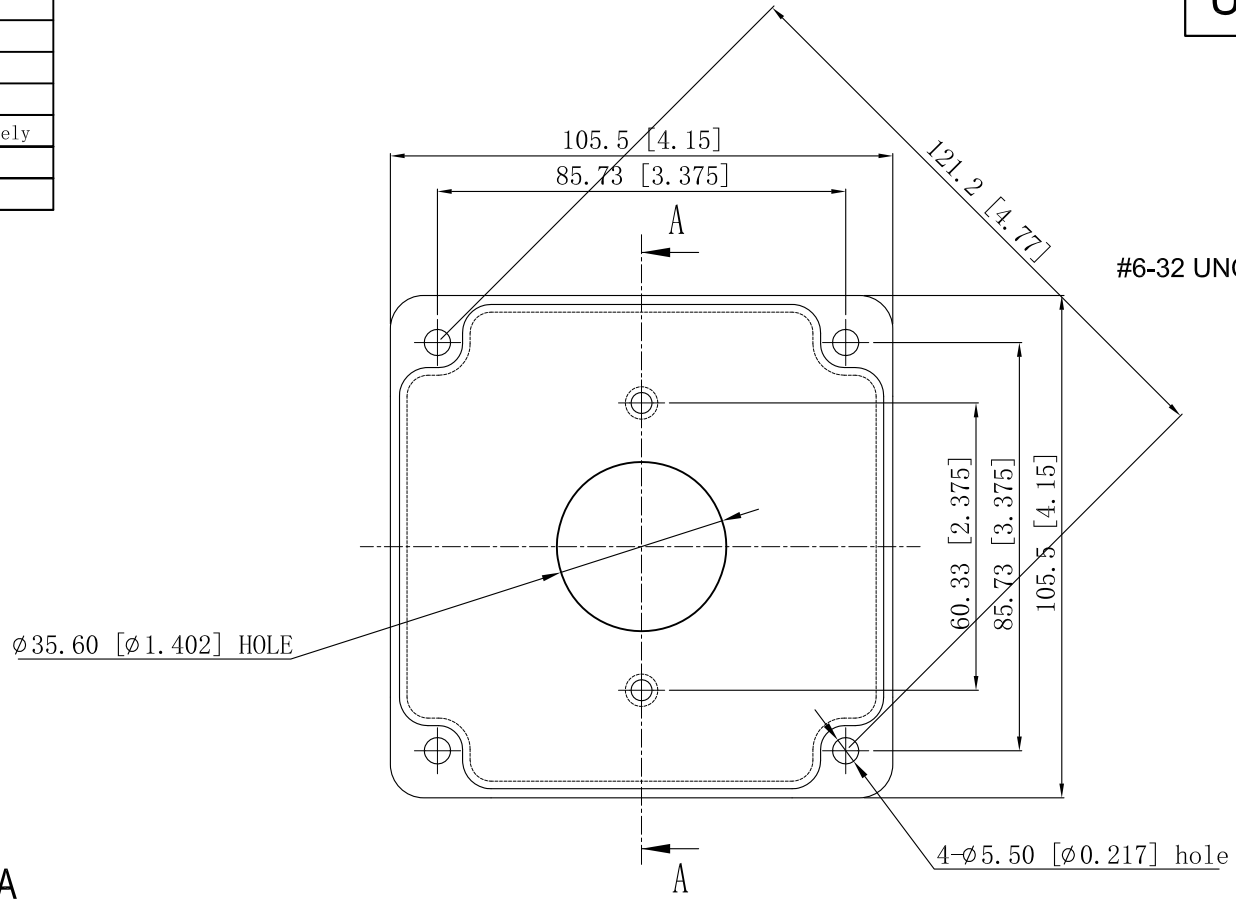


| | |
|---|--------|
| SIDES | BOTTOM |
| | |
| | |
| | |
| 2pcs 6-32×5/16 screws Pack In Poly-bag Separately | |
| 2 PCS 6-32 Nut Pack In Poly-bag Separately | |
| Material:Steel-0.0625"-G60 Galvanized | |



CUTAWAY VIEW A-A



This data sheet is for reference only .SINO AMPLE reserves the right to make changes to the design without prior notice.

| |
|-----------------------|
| DESCRIPTION |
| |
| TRADE REFERENCE TERMS |
| |

| | | | |
|------------------|---|--------------------|----------|
| STANDARD PACKING | ZHUJI SINO AMPLE METAL PRODUCTS CO., LTD. | | |
| 50 PCS | TITLE 4" SQUARE INDUSTRIAL "GARVIN" COVERS | | |
| | SIZE A4 | DWG NO. SAG1932 | REV A |
| | DATA SHEET | | |