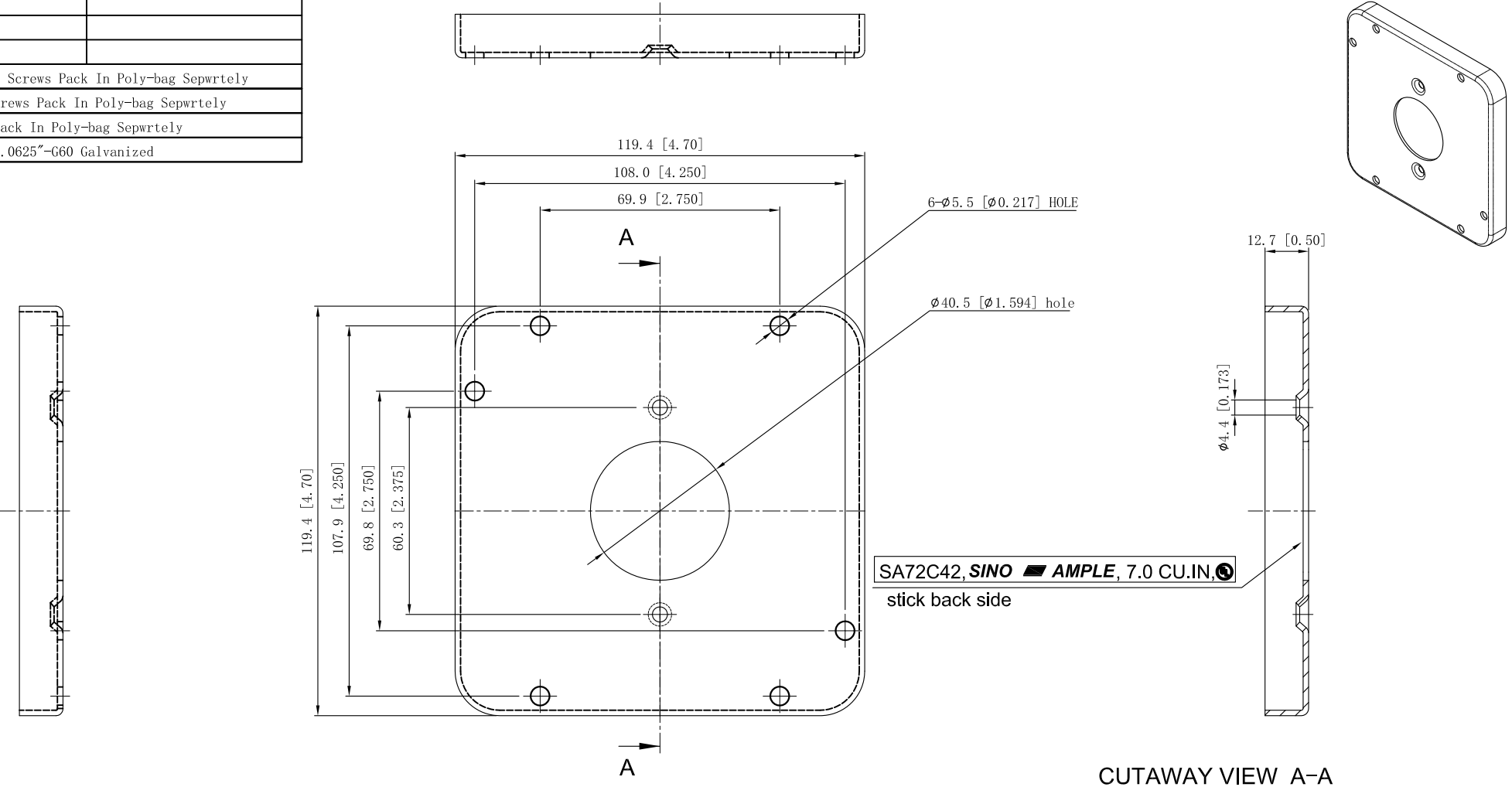


SIDES	BOTTOM
2 PCS 6-32X5/16 Screws Pack In Poly-bag Sepwrtely	
4 PCS 8-32X1 Screws Pack In Poly-bag Sepwrtely	
2 PCS 6-32 Nut Pack In Poly-bag Sepwrtely	
Material:Steel-0.0625"-G60 Galvanized	



CUTAWAY VIEW A-A

This data sheet is for reference only .SINO AMPLE reserves the right to make changes to the design without prior notice.

DESCRIPTION
TRADE REFERENCE TERMS

STANDARD PACKING	ZHUJI SINO AMPLE METAL PRODUCTS CO., LTD.		
25 PCS	TITLE		REV
	4-11/16" INDUSTRIAL "GARVIN" COVERS		A
SIZE	DWG NO.	SA72C42	
A4	DATA SHEET		