

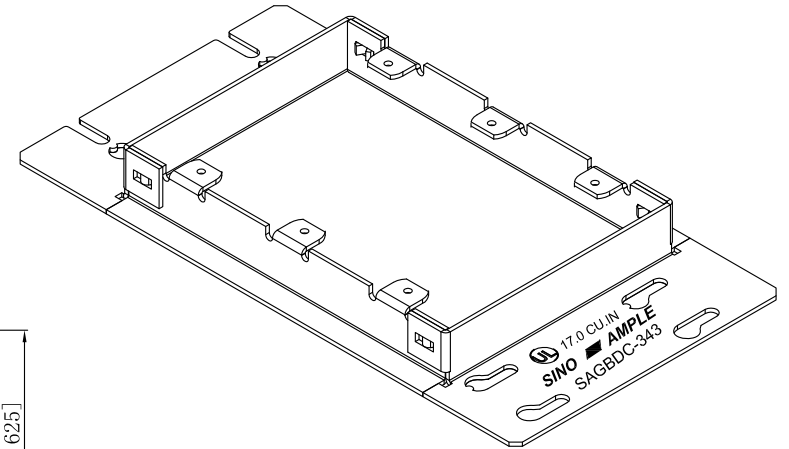
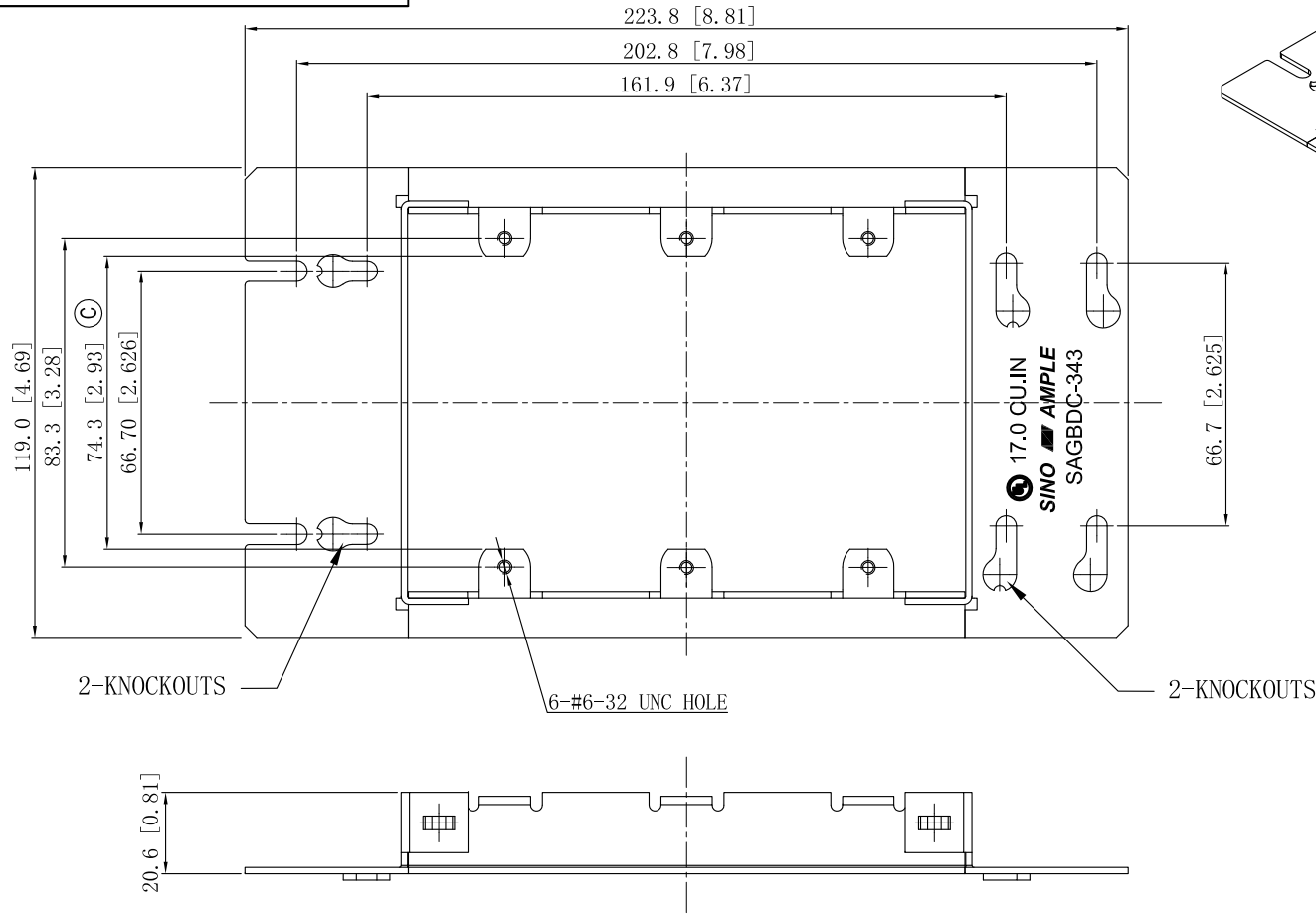
UL File #

E508835

SIDES

BOTTOM

Material: Steel-0.0625"-G60 Galvanized



This data sheet is for reference only .SINO AMPLE reserves the right to make changes to the design without prior notice.

DESCRIPTION

STANDARD PACKING

ZHUJI SINO AMPLE METAL PRODUCTS CO., LTD.

20 PCS

TITLE

3/4"RAISED MULTI-GANG DEVICE COVERS

TRADE REFERENCE TERMS

SIZE

A4

DWG NO.

SAGBDC-343

REV

A

DATA SHEET