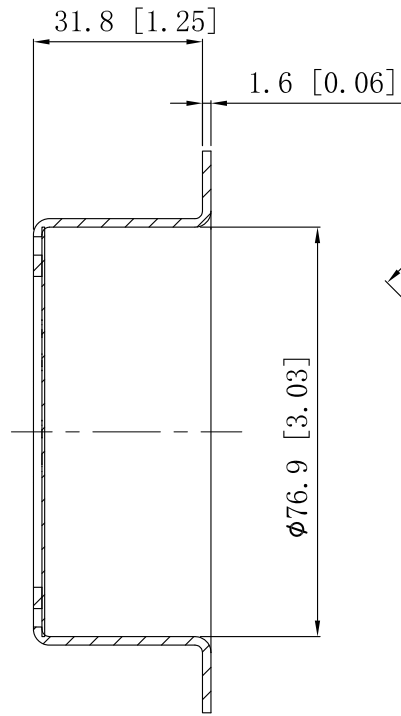
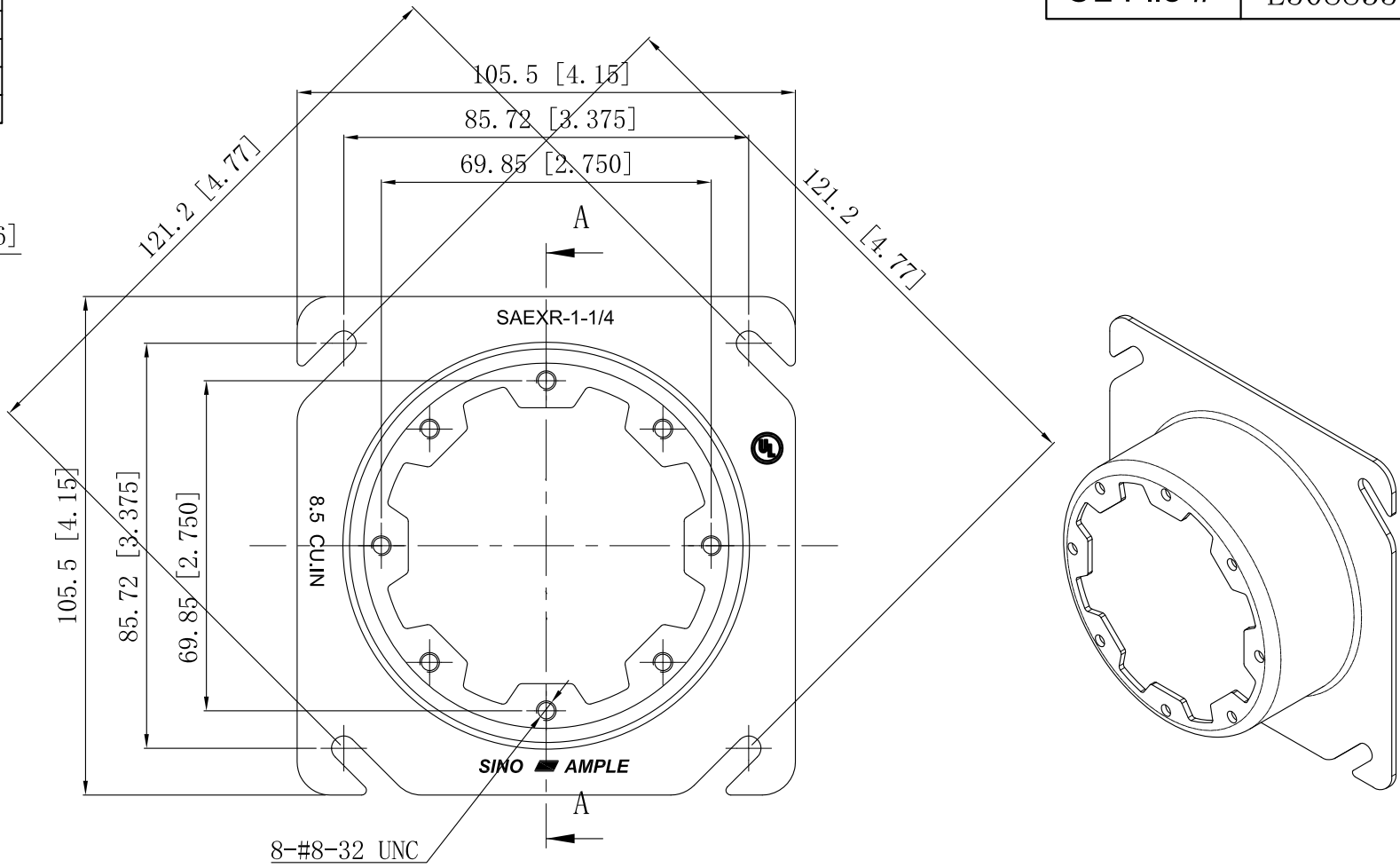


| | |
|--|--------|
| SIDES | BOTTOM |
| | |
| | |
| | |
| Material: Steel-0.0625"-(G60) Galvanized | |



CUTAWAY VIEW A-A



This data sheet is for reference only .SINO AMPLE reserves the right to make changes to the design without prior notice.

| |
|-----------------------|
| DESCRIPTION |
| |
| |
| TRADE REFERENCE TERMS |
| |

| | | | |
|------------------|--|------------------------|----------|
| STANDARD PACKING | ZHUJI SINO AMPLE METAL PRODUCTS CO. , LTD. | | |
| 25 PCS | TITLE 4" SQUQRE-TO-ROUND DEVICE RINGS | | |
| | SIZE A4 | DWG NO. SAEXR-1-1/4 | REV A |
| DATA SHEET | | | |