

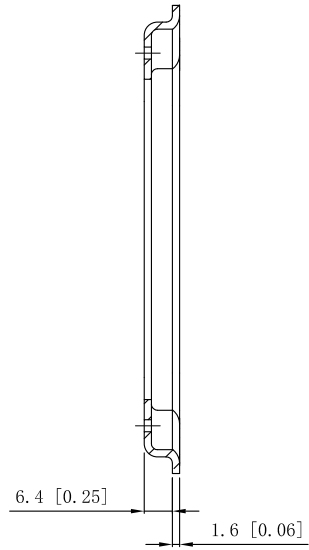
SIDES

BOTTOM

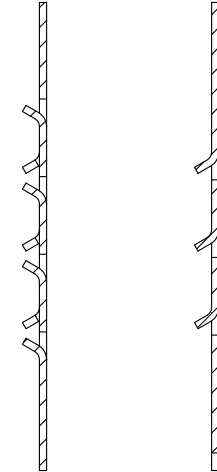
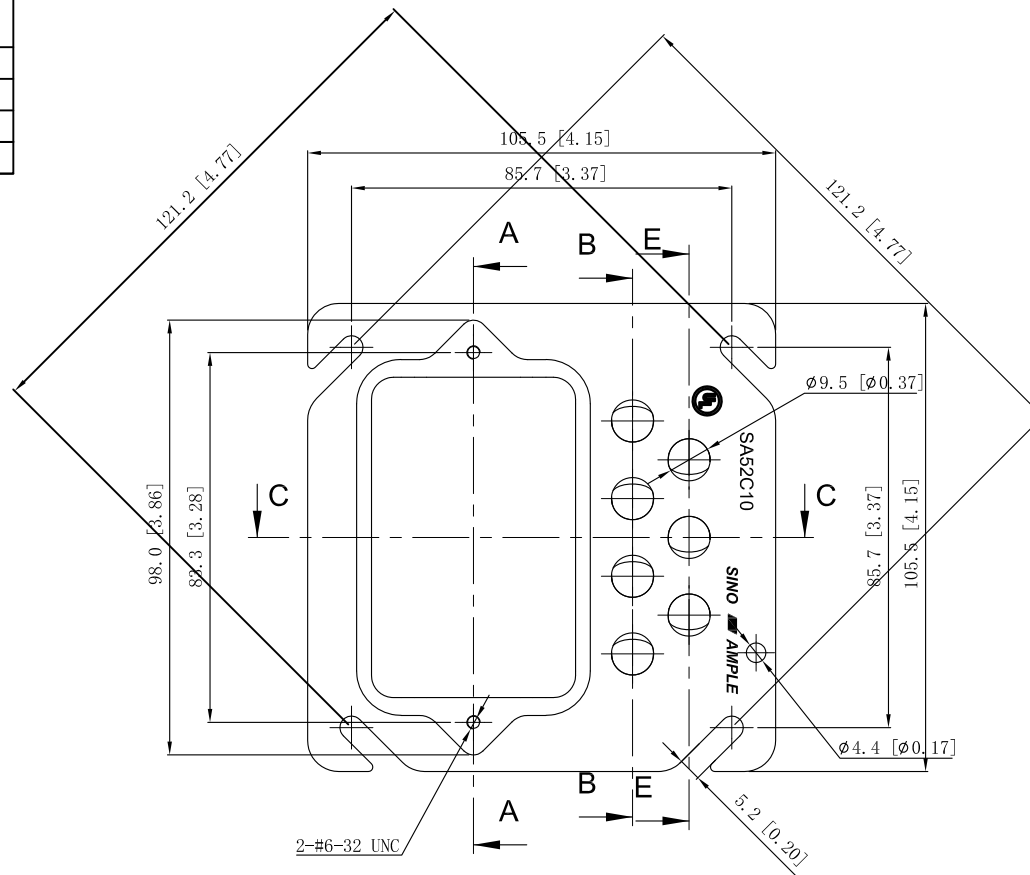
UL File #

E508835

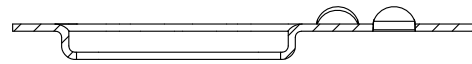
Material: Steel-0.0625"-G60 Galvanized



VIEW A-A



VIEW B-B VIEW E-E



VIEW C-C

This data sheet is for reference only .SINO AMPLE reserves the right to make changes to the design without prior notice.

DESCRIPTION
TRADE REFERENCE TERMS

STANDARD PACKING	ZHUJI SINO AMPLE METAL PRODUCTS CO., LTD.		
25 PCS	TITLE 4"SQ. "OFFSET"DEVICE RING		
	SIZE A4	DWG NO. SA52C10	REV A
	DATA SHEET		