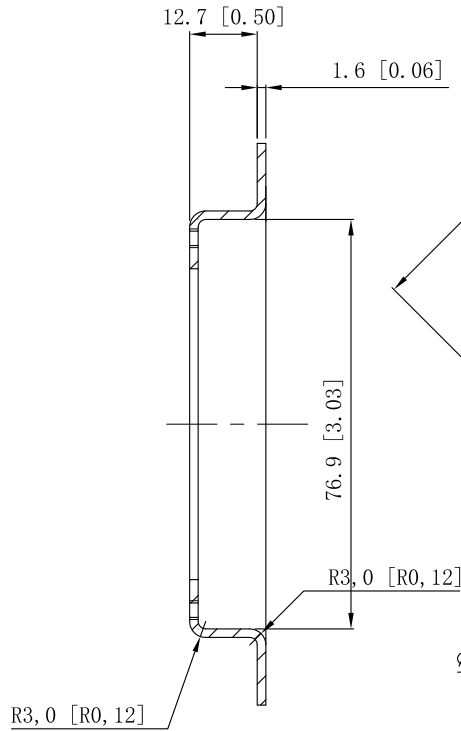
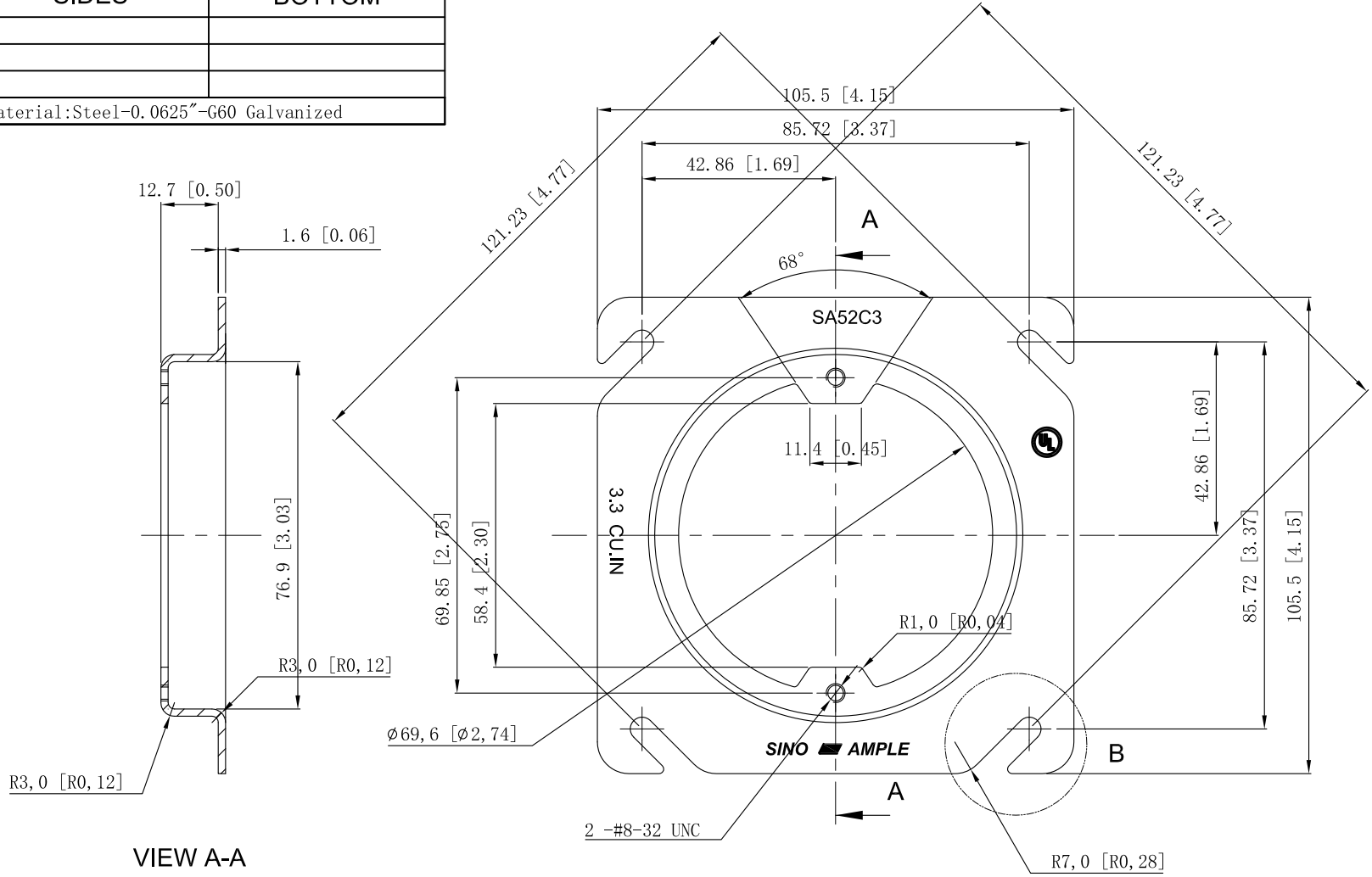
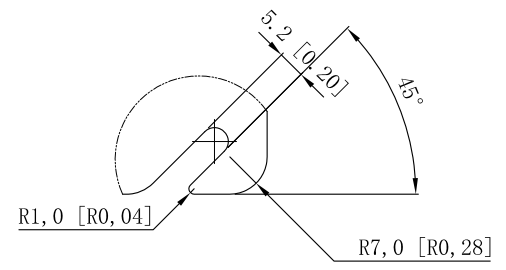


SIDES	BOTTOM
Material: Steel-0.0625"-G60 Galvanized	



VIEW A-A



VIEW B

This data sheet is for reference only .SINO AMPLE reserves the right to make changes to the design without prior notice.

DESCRIPTION
TRADE REFERENCE TERMS

STANDARD PACKING	ZHUJI SINO AMPLE METAL PRODUCTS CO., LTD.		
	TITLE 4" SQUQRE-TO-ROUND DEVICE RINGS		
50 PCS	SIZE	DWG NO.	REV
	A4	SA52C3	A
DATA SHEET			