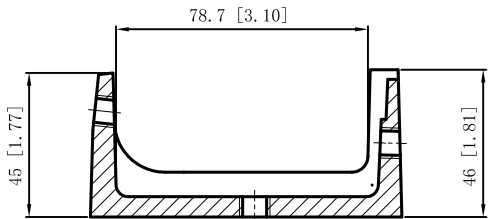
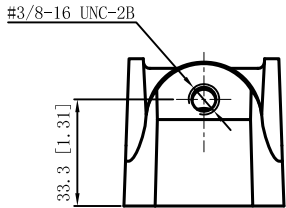
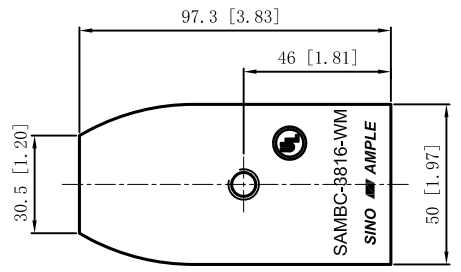
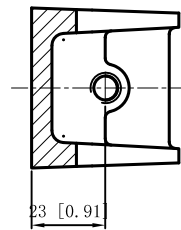
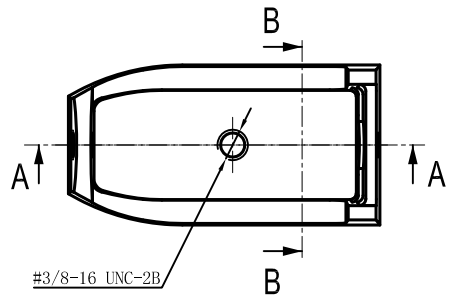
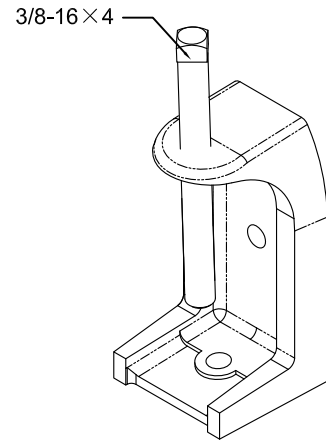


SIDES	BOTTOM
1 PCS 3/8-16×4 Screws Installed	
Material:Steel-Malleable Casting Galvanized	



CUTAWAY VIEW A-A



CUTAWAY VIEW B-B

This data sheet is for reference only . SINO AMPLE reserves the right to make changes to the design without prior notice.

DESCRIPTION
TRADE REFERENCE TERMS

STANDARD PACKING	ZHUJI SINO AMPLE METAL PRODUCTS CO. , LTD.		
25 PSC	TITLE MALLEABLE IRON BEAM CLAMPS		
	SIZE A4	DWG NO. SAMBC-3816WM	REV A
	DATA SHEET		