

SIDES

BOTTOM

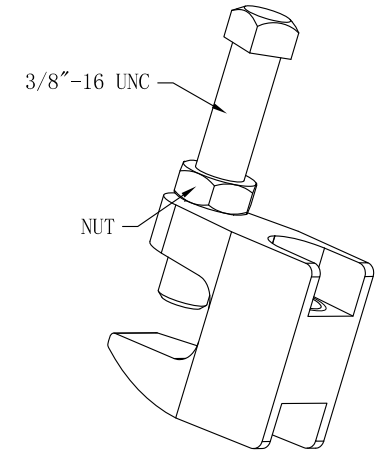
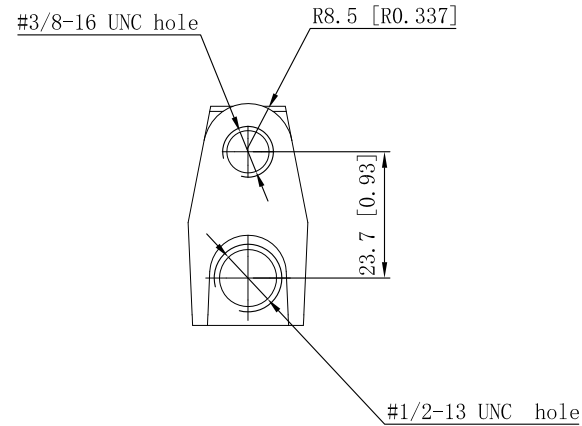
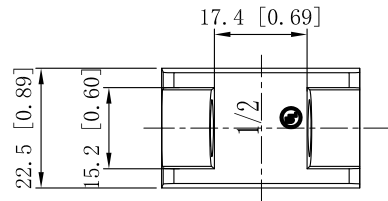
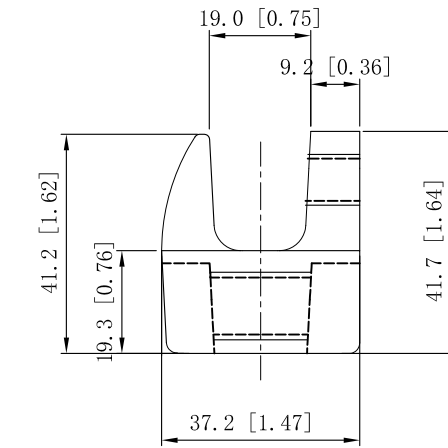
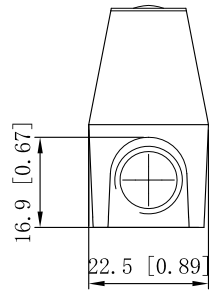
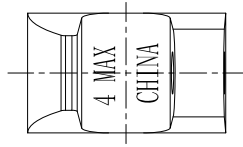
UL File #

E510054

1 PC 3/8-16×1 1/2 Screws Installed

1 PC 3/8-16 Nut Installed

Material:Steel-Malleable Lron 32510 Sandblast



DESCRIPTION

This data sheet is for reference only .SINO AMPLE reserves the right to make changes to the design without prior notice.

STANDARD PACKING

ZHUJI SINO AMPLE METAL PRODUCTS CO. , LTD.

25/250 PCS

TITLE

PIPE-FITTERS TOP BEAM CLAMP

TRADE REFERENCE TERMS

SIZE

A4

DWG NO.

SAJFC-1213

REV

A

DATA SHEET