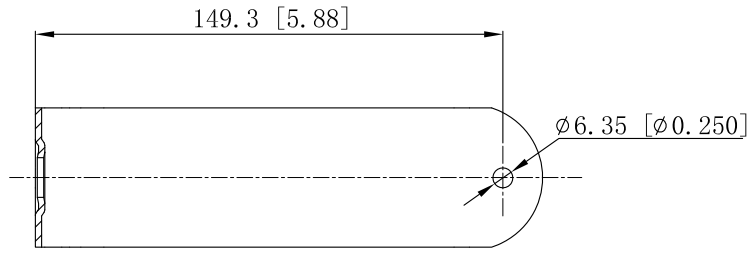
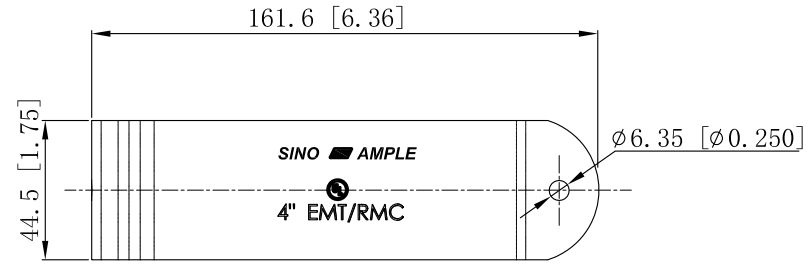
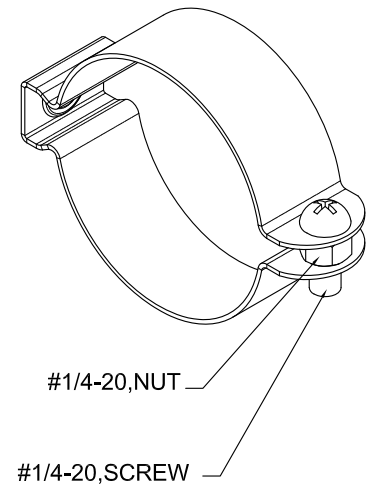
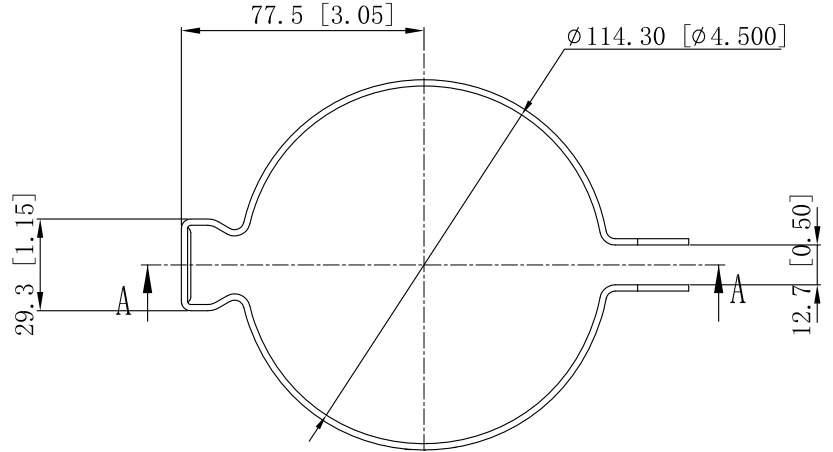
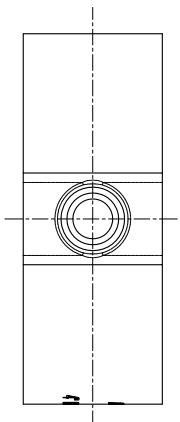


SIDES	BOTTOM
1 PC #1/4-20×1 1/4 Screws Installed	
1 PC #1/4-20 Hex Nut Installed	
Material:0.080~Stainless steel 316	



CUTAWAY VIEW A-A



This data sheet is for reference only .SINO AMPLE reserves the right to make changes to the design without prior notice.

DESCRIPTION
TRADE REFERENCE TERMS

STANDARD PACKING
5 PCS

ZHUJI SINO AMPLE METAL PRODUCTS CO. , LTD.	
TITLE CONDUIT HANGERS	
SIZE A4	DWG NO. SACHSS-400
DATA SHEET	
REV A	