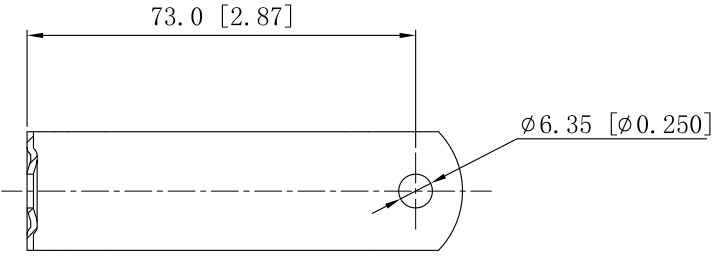
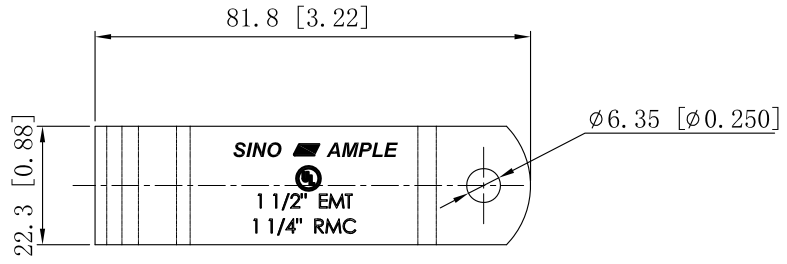
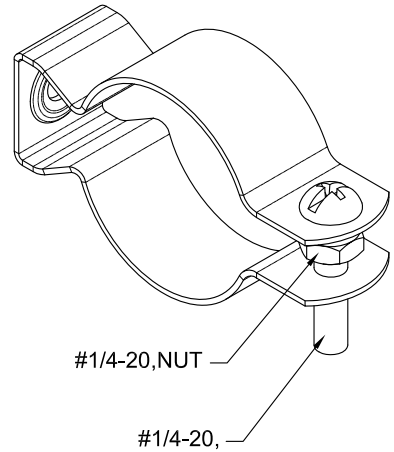
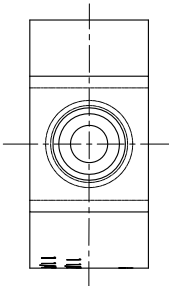
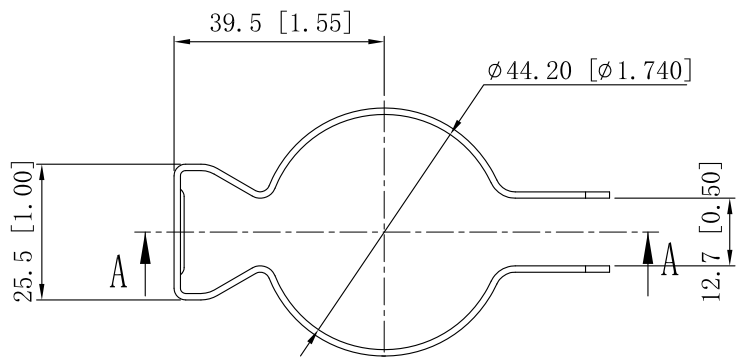


SIDES	BOTTOM
1 PC #1/4-20×1 1/4 Screws Installed	
1 PC #1/4-20 Hex Nut Installed	
Material:0.047"-Stainless steel 316	



CUTAWAY VIEW A-A



This data sheet is for reference only .SINO AMPLE reserves the right to make changes to the design without prior notice.

DESCRIPTION
TRADE REFERENCE TERMS

STANDARD PACKING
25 PCS

ZHUJI SINO AMPLE METAL PRODUCTS CO. , LTD.		
TITLE CONDUIT HANGERS		
SIZE A4	DWG NO. SACHSS-150	REV A
DATA SHEET		