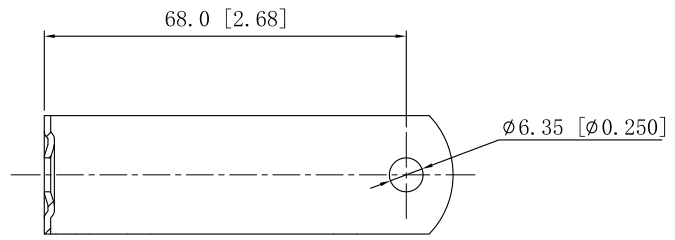
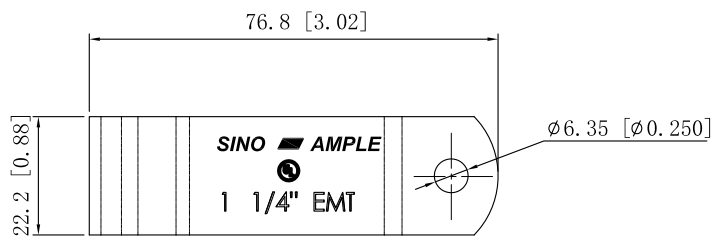
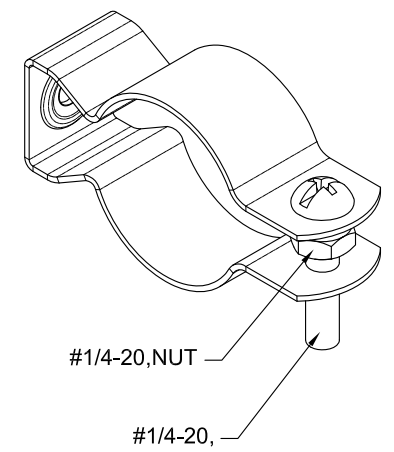
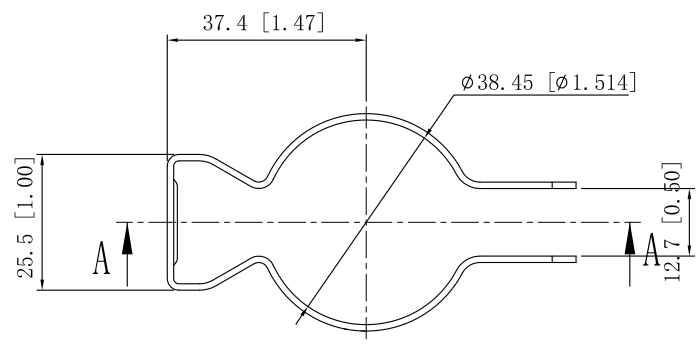
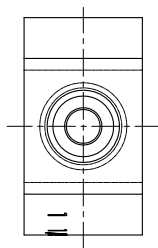


SIDES	BOTTOM
1 PC #1/4-20×1 1/4 Screws Installed	
1 PC #1/4-20 Hex Nut Installed	
Material:0.047"-Stainless steel 316	



CUTAWAY VIEW A-A



DESCRIPTION
TRADE REFERENCE TERMS

This data sheet is for reference only .SINO AMPLE reserves the right to make changes to the design without prior notice.

STANDARD PACKING	ZHUJI SINO AMPLE METAL PRODUCTS CO. , LTD.		
25 PCS	TITLE		
	CONDUIT HANGERS		
	SIZE	DWG NO.	REV
	A4	SACHSS-125	A
		DATA SHEET	