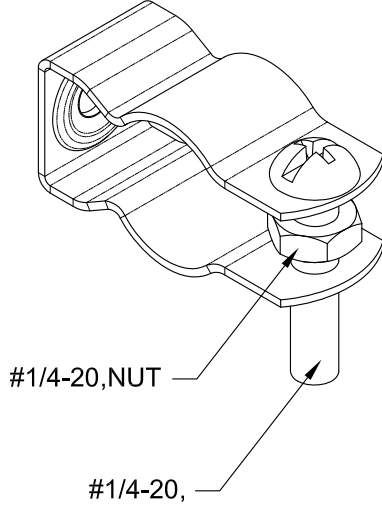
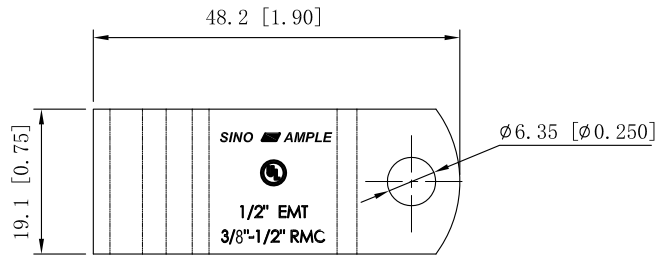
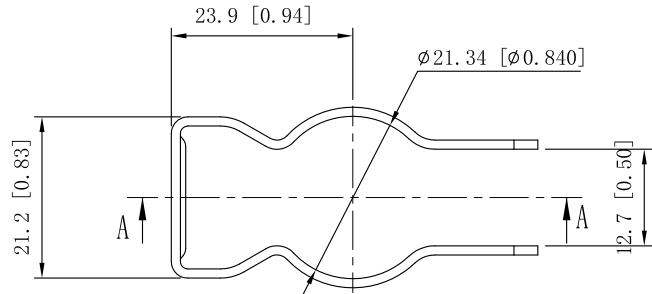
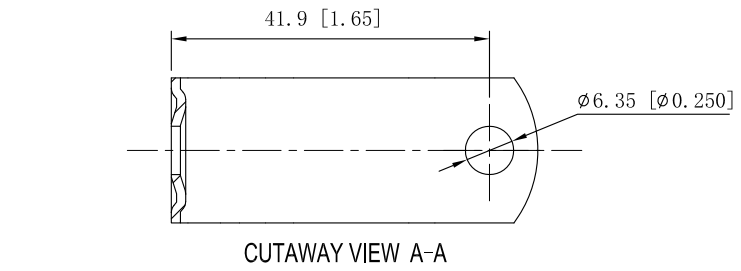
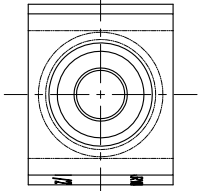


SIDES	BOTTOM
1 PC #1/4-20×1 1/4 Screws Installed	
1 PC #1/4-20 Hex Nut Installed	
Material:Steel-0.047"-Stainless steel 316	



This data sheet is for reference only .SINO AMPLE reserves the right to make changes to the design without prior notice.

DESCRIPTION
TRADE REFERENCE TERMS

STANDARD PACKING
50 PCS

ZHUJI SINO AMPLE METAL PRODUCTS CO., LTD.	
TITLE CONDUIT HANGERS	
SIZE A4	DWG NO. SACHSS-50
DATA SHEET	
REV A	