

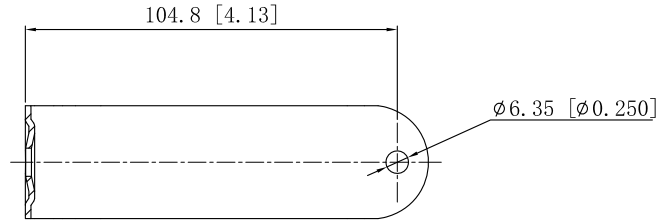
SIDES

BOTTOM

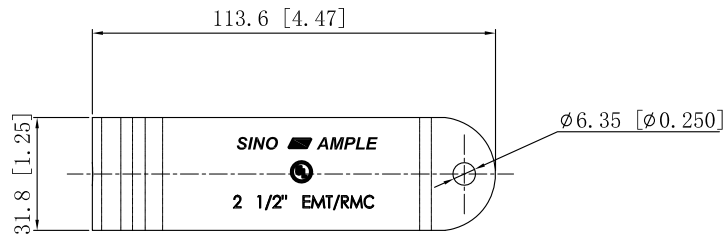
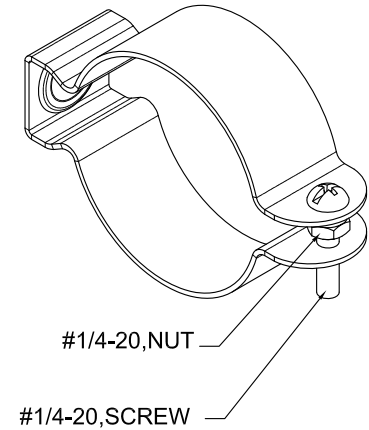
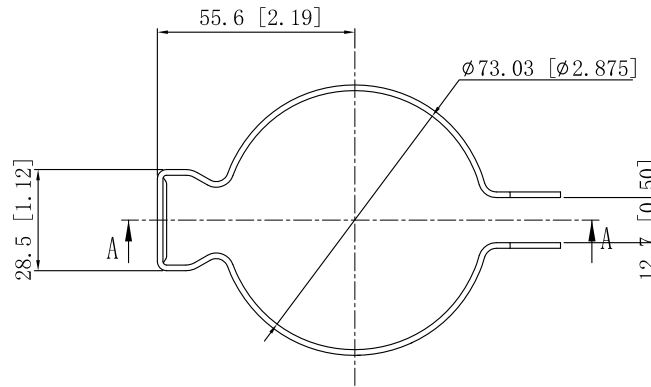
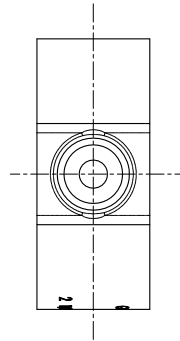
UL File #

E510054

1 PCS #1/4-20×1 1/4 Screws Installed
 1 PCS #1/4-20 Hex Nut Installed
 Material:Steel-0.0625"-C.R.S Zinc Plated



CUTAWAY VIEW A-A



This data sheet is for reference only .SINO AMPLE reserves the right to make changes to the design without prior notice.

DESCRIPTION
TRADE REFERENCE TERMS

STANDARD PACKING	ZHUJI SINO AMPLE METAL PRODUCTS CO. , LTD.		
10 PCS	TITLE CONDUIT HANGERS		
	SIZE A4	DWG NO. SACH-250	REV A
	DATA SHEET		