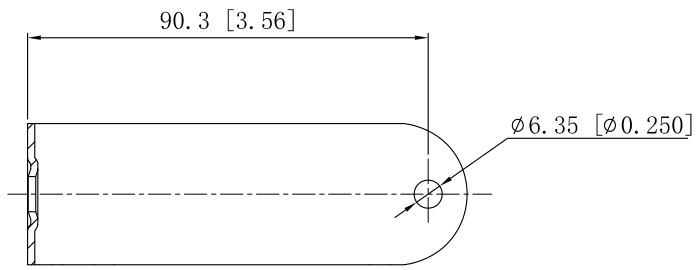
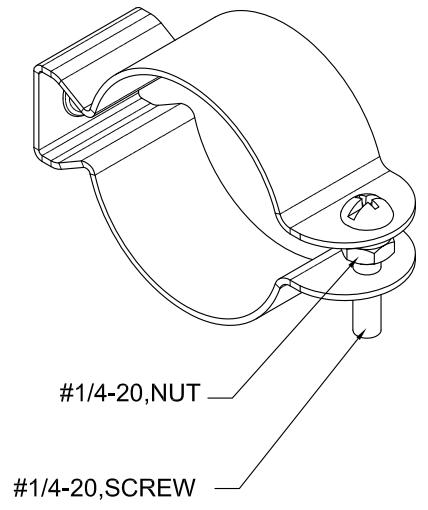
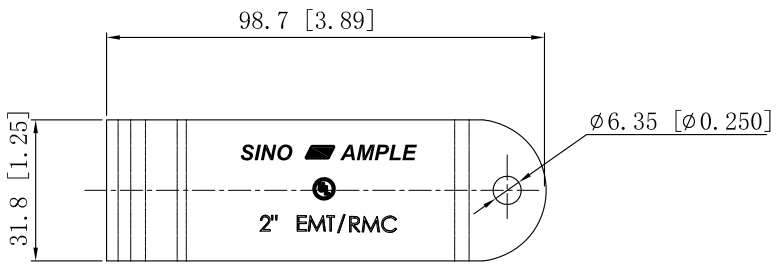
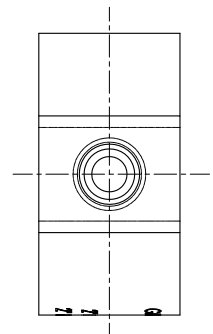
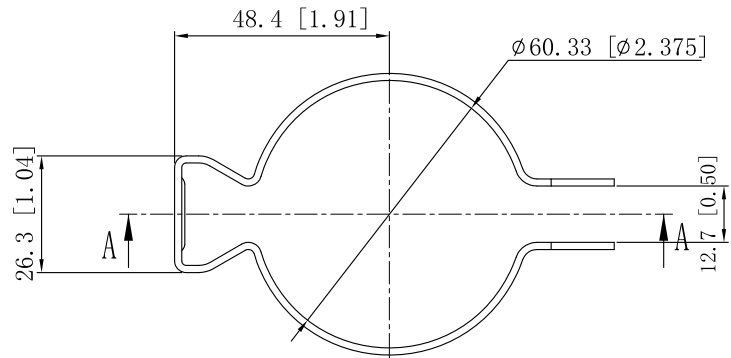


SIDES	BOTTOM
1 PCS #1/4-20×1-1/4 Screws Installed	
1 PCS #1/4-20 Hex Nut Installed	
Material:Steel-0.047"-C.R.S Zinc Plated	



CUTAWAY VIEW A-A



This data sheet is for reference only .SINO AMPLE reserves the right to make changes to the design without prior notice.

DESCRIPTION
TRADE REFERENCE TERMS

STANDARD PACKING	ZHUJI SINO AMPLE METAL PRODUCTS CO., LTD.		
25 PCS	TITLE CONDUIT HANGERS		
	SIZE A4	DWG NO. SACH-200	REV A
DATA SHEET			
www.garvinindustries.com			