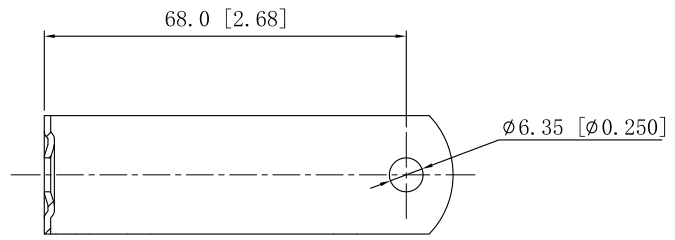
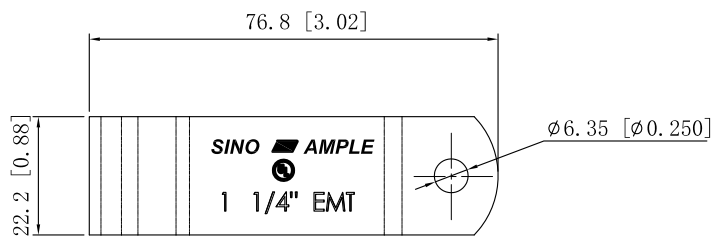
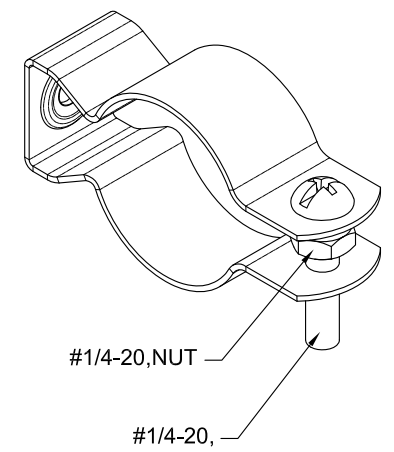
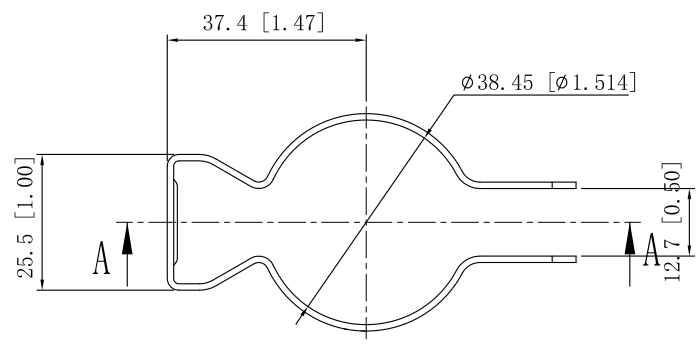
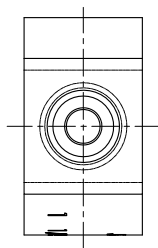


SIDES	BOTTOM
1 PCS #1/4-20×1 1/4 Screws Installed	
1 PCS #1/4-20 Hex Nut Installed	
Material:Steel-0.047"-C.R.S Zinc Plated	



CUTAWAY VIEW A-A



This data sheet is for reference only .SINO AMPLE reserves the right to make changes to the design without prior notice.

DESCRIPTION
TRADE REFERENCE TERMS

STANDARD PACKING	ZHUJI SINO AMPLE METAL PRODUCTS CO., LTD.		
25 PCS	TITLE		
	CONDUIT HANGERS		
	SIZE	DWG NO.	REV
A4	SACH-125	A	
DATA SHEET			