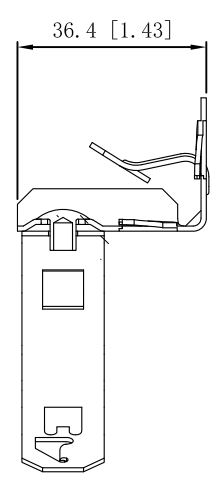
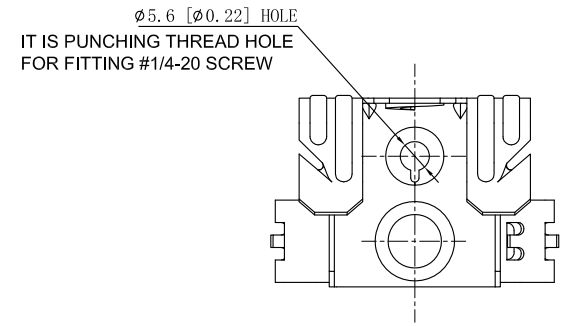
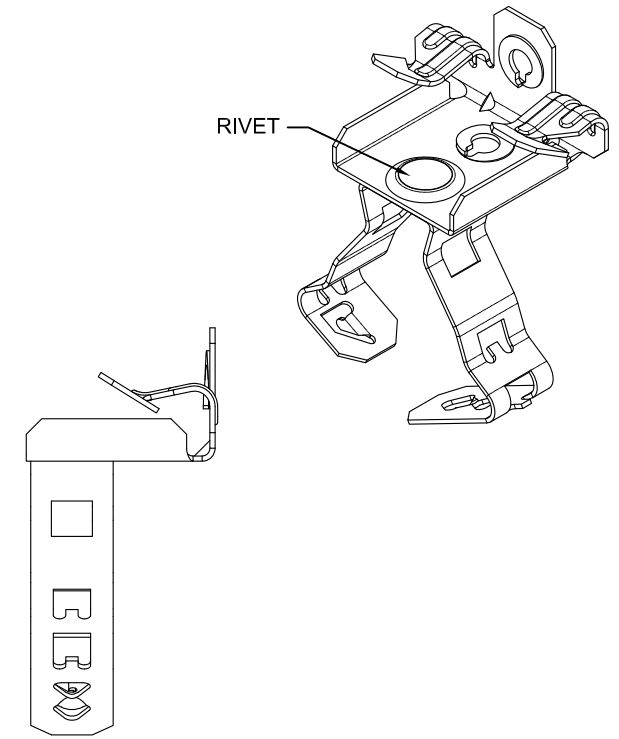
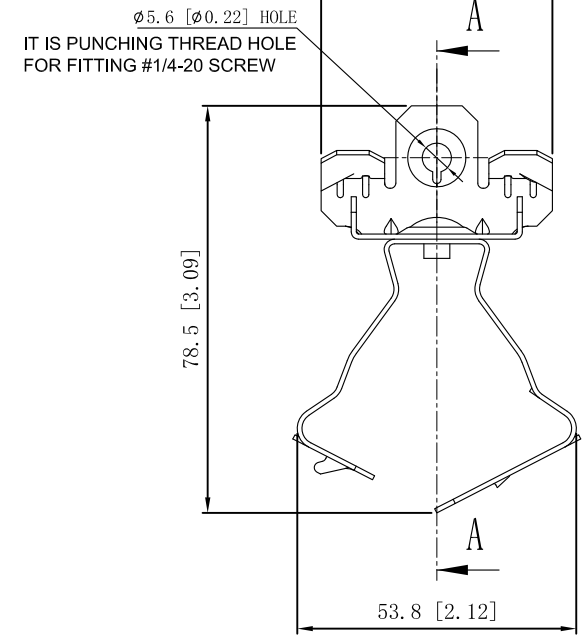


SIDES	BOTTOM
Material:Steel-0.035"-C1065 spring steel,Black oxide	



CUTAWAY VIEW A-A



This data sheet is for reference only . SINO AMPLE reserves the right to make changes to the design without prior notice.

DESCRIPTION
TRADE REFERENCE TERMS

STANDARD PACKING	ZHUJI SINO AMPLE METAL PRODUCTS CO. , LTD.		
50 PCS	TITLE COUDUIT HANGERS		
	SIZE A4	DWG NO. SABC18KC1234	REV A
DATA SHEET			