

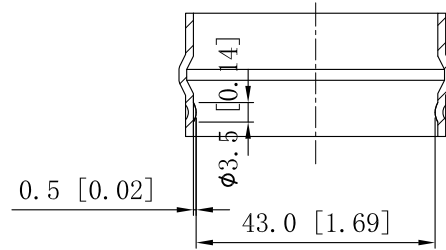
SIDES

BOTTOM

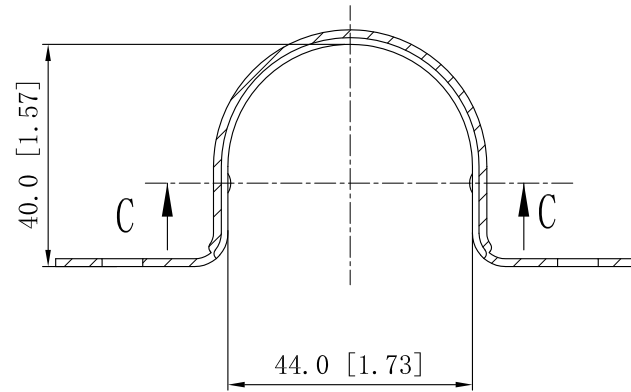
UL File #

E510054

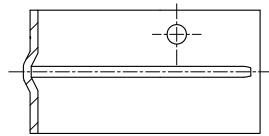
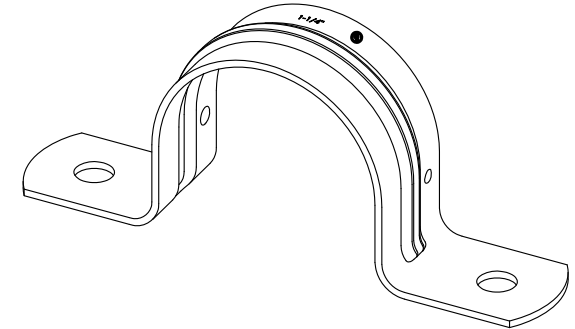
Material:0.051"-Stainless steel 316



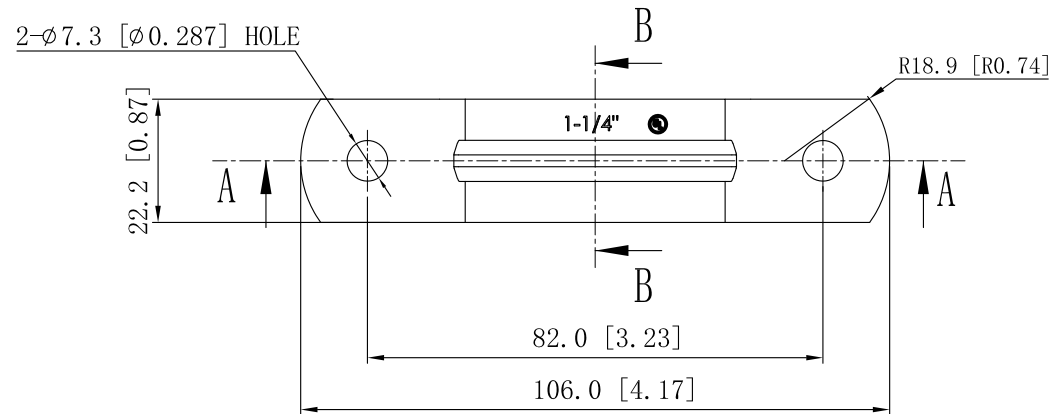
CUTAWAY VIEW C-C



CUTAWAY VIEW A-A



CUTAWAY VIEW B-B



This data sheet is for reference only . SINO AMPLE reserves the right to make changes to the design without prior notice.

DESCRIPTION
TRADE REFERENCE TERMS

STANDARD PACKING	ZHUJI SINO AMPLE METAL PRODUCTS CO., LTD.		
	TITLE TWO-HOLE STRAPS		
SIZE A4	DWG NO. SATHSSR-125	REV A	
DATA SHEET			