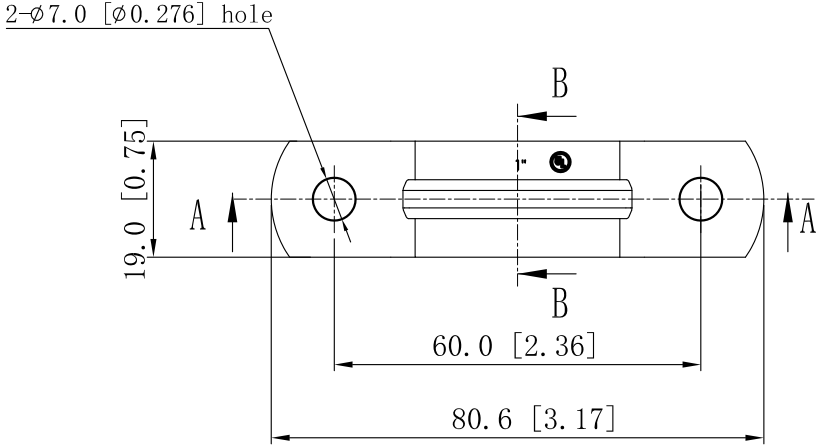
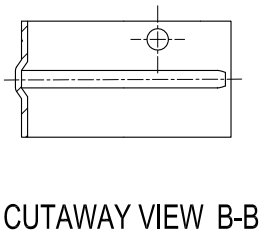
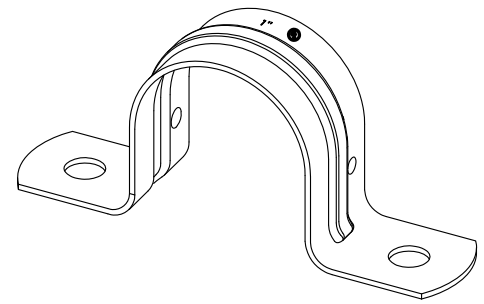
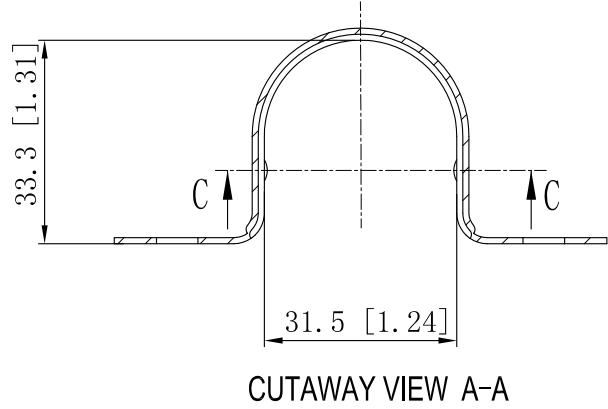
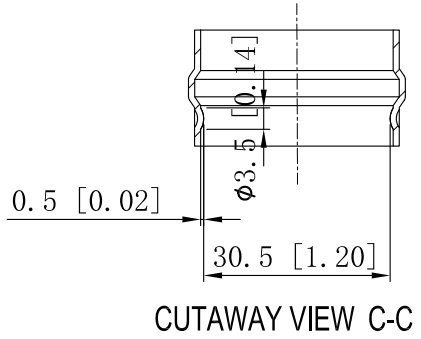


| | |
|-------------------------------------|--------|
| SIDES | BOTTOM |
| | |
| | |
| | |
| Material:0.039"-Stainless steel 316 | |



This data sheet is for reference only . SINO AMPLE reserves the right to make changes to the design without prior notice.

| |
|-----------------------|
| DESCRIPTION |
| |
| |
| TRADE REFERENCE TERMS |
| |

| | | | |
|------------------|--|--|----------|
| STANDARD PACKING | ZHUJI SINO AMPLE METAL PRODUCTS CO. , LTD. | | |
| | TITLE TWO-HOLE STRAPS | | |
| SIZE A4 | DWG NO. SATHSSR-100 | | REV A |
| DATA SHEET | | | |