

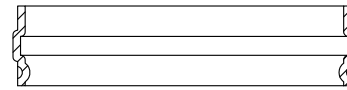
SIDES

BOTTOM

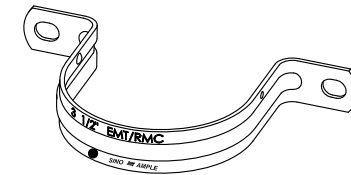
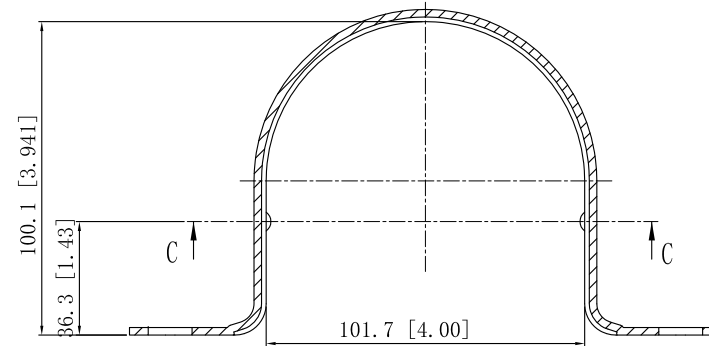
UL File #

E510054

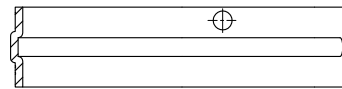
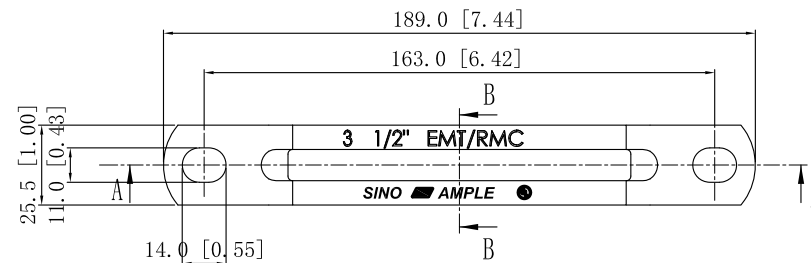
Material:0.0934" - STAINLESS STEEL 316



CUTAWAY VIEW C-C



CUTAWAY VIEW A-A



CUTAWAY VIEW B-B

This data sheet is for reference only .SINO AMPLE reserves the right to make changes to the design without prior notice.

DESCRIPTION
TRADE REFERENCE TERMS

STANDARD PACKING	ZHUJI SINO AMPLE METAL PRODUCTS CO. , LTD.		
10 PCS	TITLE TWO-HOLE STRAPS		
	SIZE A4	DWG NO. SATHSS-350	REV A
	DATA SHEET		