

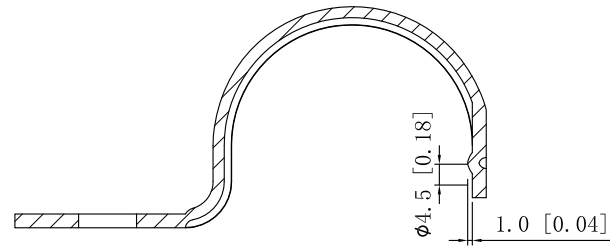
SIDES

BOTTOM

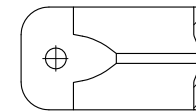
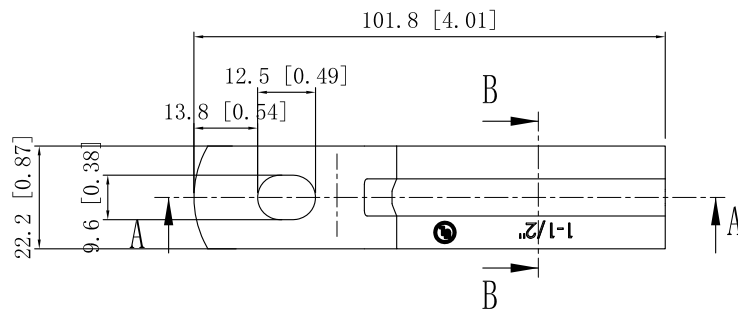
UL File #

E510054

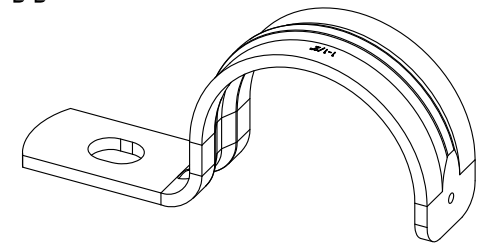
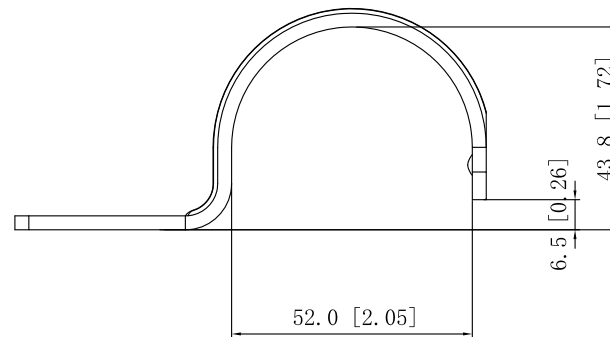
Material:0.1181"-Stainless steel 316



CUTAWAY VIEW A-A



CUTAWAY VIEW B-B



DESCRIPTION

TRADE REFERENCE TERMS

This data sheet is for reference only .SINO AMPLE reserves the right to make changes to the design without prior notice.

STANDARD PACKING

ZHUJI SINO AMPLE METAL PRODUCTS CO., LTD.

TITLE

ONE-HOLE STRAPS

SIZE

A4

DWG NO.

SAOHSSR-150

REV

A

DATA SHEET