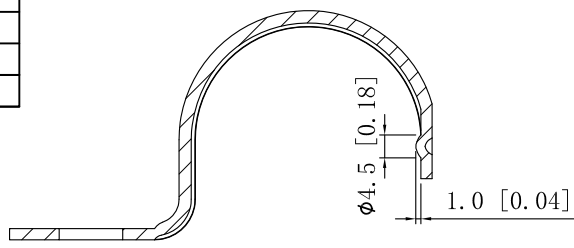
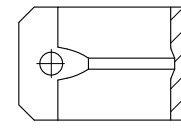
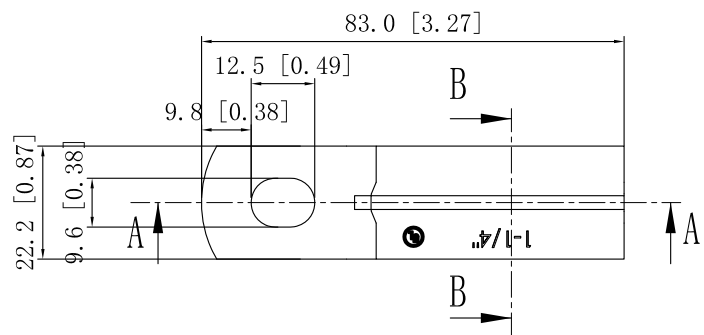


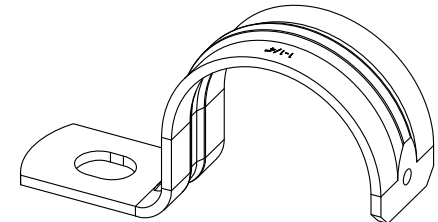
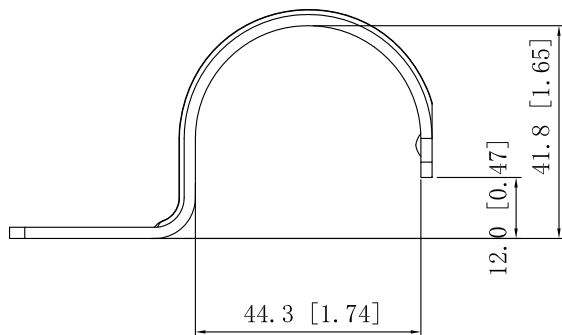
| | |
|-------------------------------------|--------|
| SIDES | BOTTOM |
| | |
| | |
| | |
| Material:0.0866~Stainless steel 316 | |



CUTAWAY VIEW A-A



CUTAWAY VIEW B-B



This data sheet is for reference only . SINO AMPLES reserves the right to make changes to the design without prior notice.

| |
|-----------------------|
| DESCRIPTION |
| |
| |
| TRADE REFERENCE TERMS |
| |

| | | | |
|------------------|--|------------------------|----------|
| STANDARD PACKING | ZHUJI SINO AMPLE METAL PRODUCTS CO. , LTD. | | |
| | TITLE ONE-HOLE STRAPS | | |
| | SIZE A4 | DWG NO. SAOHSSR-125 | REV A |
| | DATA SHEET | | |