

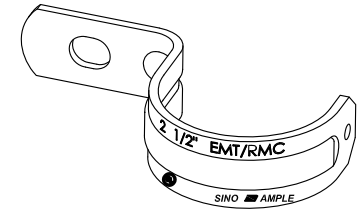
SIDES

BOTTOM

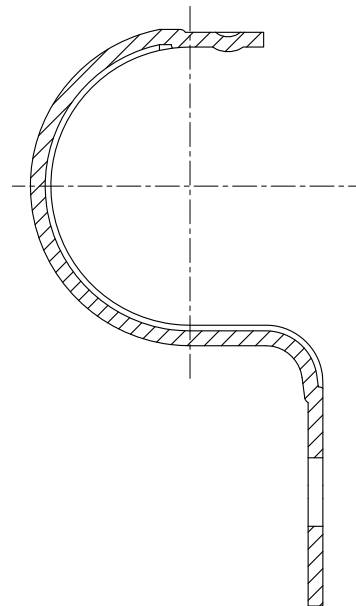
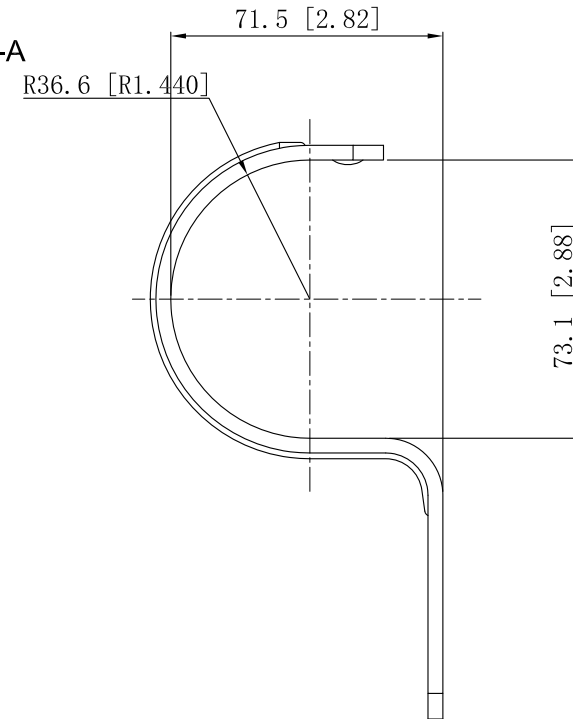
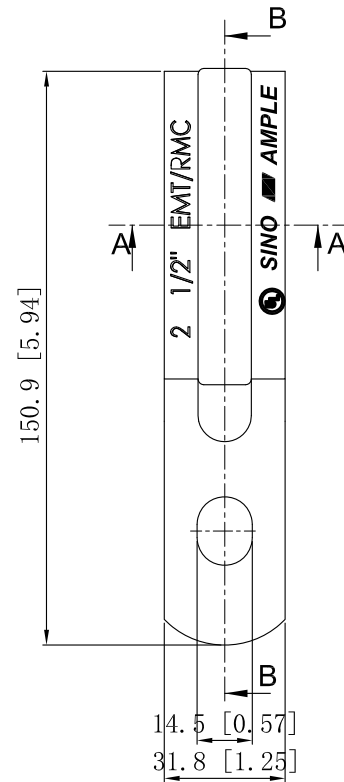
UL File #

E510054

Material: 0.1532" - STAINLESS STEEL 316



CUTAWAY VIEW A-A



CUTAWAY VIEW B-B

This data sheet is for reference only .SINO AMPLE reserves the right to make changes to the design without prior notice.

DESCRIPTION

STANDARD
PACKING

ZHUJI SINO AMPLE METAL PRODUCTS CO., LTD.

25 PCS

TITLE

ONE-HOLE STRAPS

TRADE REFERENCE TERMS

SIZE

A4

DWG NO.

SAOHSS-250

REV

A

DATA SHEET