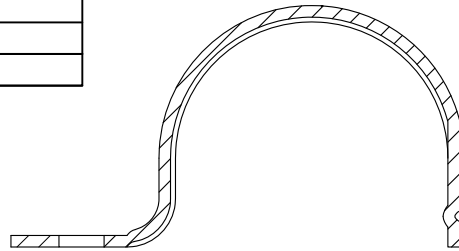


SIDES

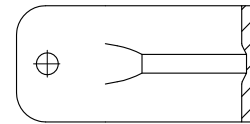
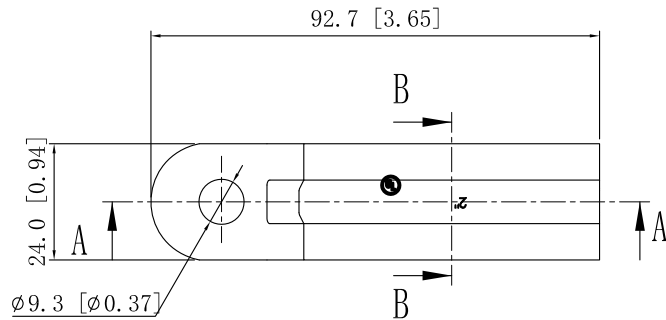
BOTTOM

UL File # E510054

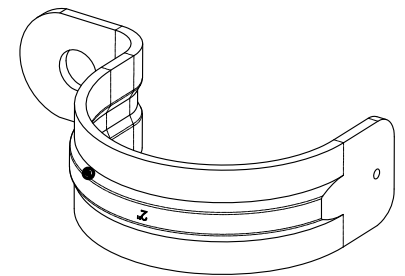
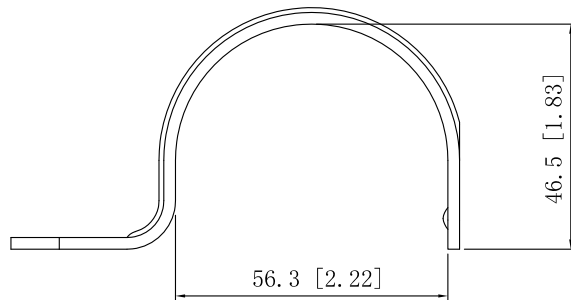
Material:0.0934" - STAINLESS STEEL 316



CUTAWAY VIEW A-A



CUTAWAY VIEW B-B



DESCRIPTION
TRADE REFERENCE TERMS

This data sheet is for reference only .SINO AMPLE reserves the right to make changes to the design without prior notice.

STANDARD PACKING	ZHUJI SINO AMPLE METAL PRODUCTS CO. , LTD.		
25 PCS	TITLE ONE-HOLE STRAPS		
	SIZE A4	DWG NO. SAOHSS-200	REV A
DATA SHEET			