

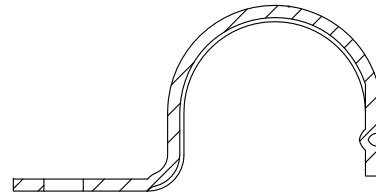
SIDES

BOTTOM

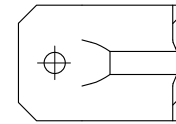
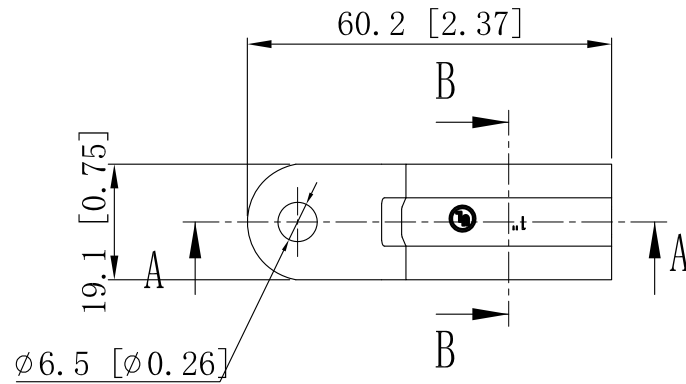
UL File #

E510054

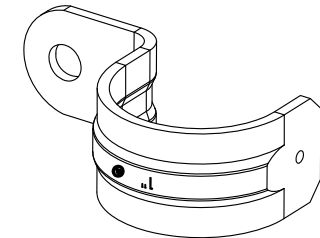
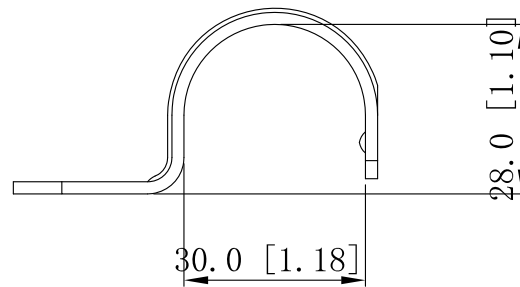
Material:0.078" - STAINLESS STEEL 316



CUTAWAY VIEW A-A



CUTAWAY VIEW B-B



DESCRIPTION

TRADE REFERENCE TERMS

This data sheet is for reference only .SINO AMPLE reserves the right to make changes to the design without prior notice.

STANDARD PACKING

50 PCS

TITLE

SIZE  
A4

DWG NO.

ZHUJI SINO AMPLE METAL PRODUCTS CO., LTD.

ONE-HOLE STRAPS

SAOHSS-100

DATA SHEET

REV  
A